



AD-540

Parts Manual

American Dryer Corporation
88 Currant Road
Fall River, MA 02720-4781
Telephone: (508) 678-9000 / Fax: (508) 678-9447
E-mail: techsupport@amdry.com

www.amdry.com

Retain This Manual In A Safe Place For Future Reference

American Dryer Corporation products embody advanced concepts in engineering, design, and safety. If this product is properly maintained, it will provide many years of safe, efficient, and trouble-free operation.

ONLY qualified technicians should service this equipment.

OBSERVE ALL SAFETY PRECAUTIONS displayed on the equipment or specified in the installation manual included with the dryer.

The following “**FOR YOUR SAFETY**” caution **must be** posted near the dryer in a prominent location.

FOR YOUR SAFETY

Do not store or use gasoline or other flammable vapors and liquids in the vicinity of this or any other appliance.

POUR VOTRE SÉCURITÉ

Ne pas entreposer ni utiliser d'essence ni d'autres vapeurs ou liquides inflammables à proximité de cet appareil ou de tout autre appareil.

We have tried to make this manual as complete as possible and hope you will find it useful. **ADC** reserves the right to make changes from time to time, without notice or obligation, in prices, specifications, colors, and material, and to change or discontinue models.

Important

For your convenience, log the following information:

DATE OF PURCHASE _____ **MODEL NO.** AD-540

RESELLER'S NAME _____

Serial Number(s) _____

Replacement parts can be obtained from your reseller or the **ADC** factory. When ordering replacement parts from the factory, you can FAX your order to **ADC** at (508) 678-9447 or telephone your order directly to the **ADC** Parts Department at (508) 678-9000. Please specify the dryer **model number** and **serial number** in addition to the **description** and **part number**, so that your order is processed accurately and promptly.

The illustrations on the following pages may not depict your particular dryer exactly. The illustrations are a composite of the various dryer models. Be sure to check the descriptions of the parts thoroughly before ordering.

“IMPORTANT NOTE TO PURCHASER”

Information **must be** obtained from your local gas supplier on the instructions to be followed if the user smells gas. These instructions **must be** posted in a prominent location near the dryer.

Quick Reference Diagram

For Detailed Information See The Table Of Contents On The Next Page.

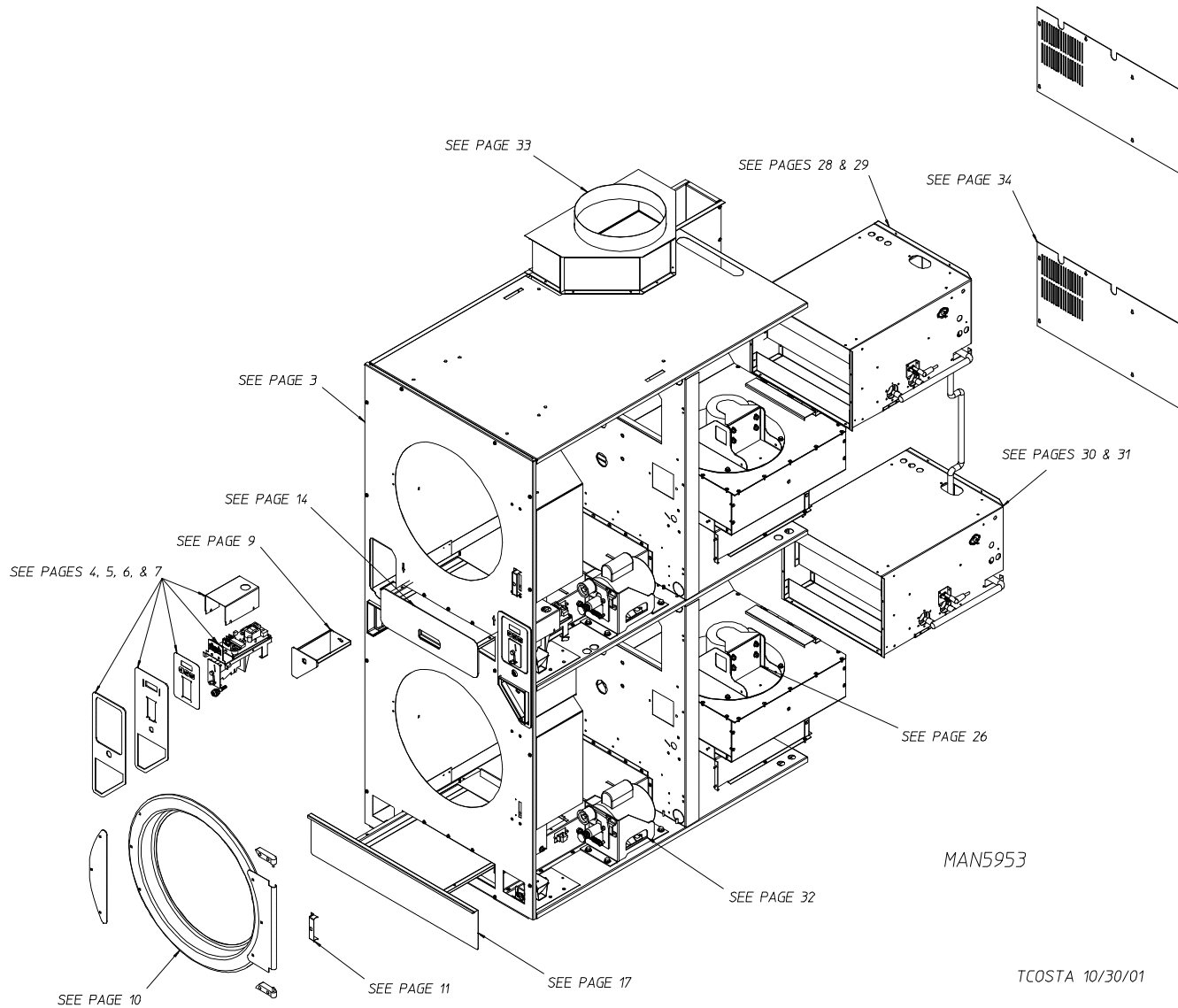
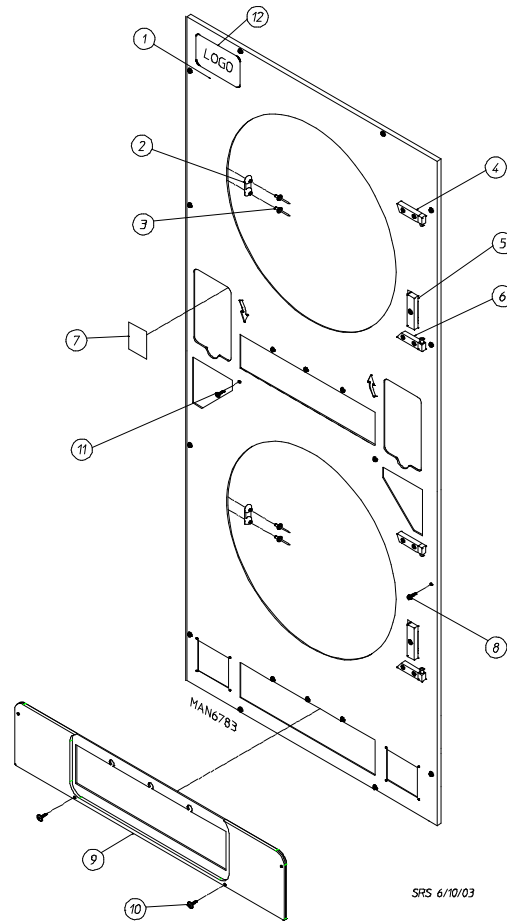


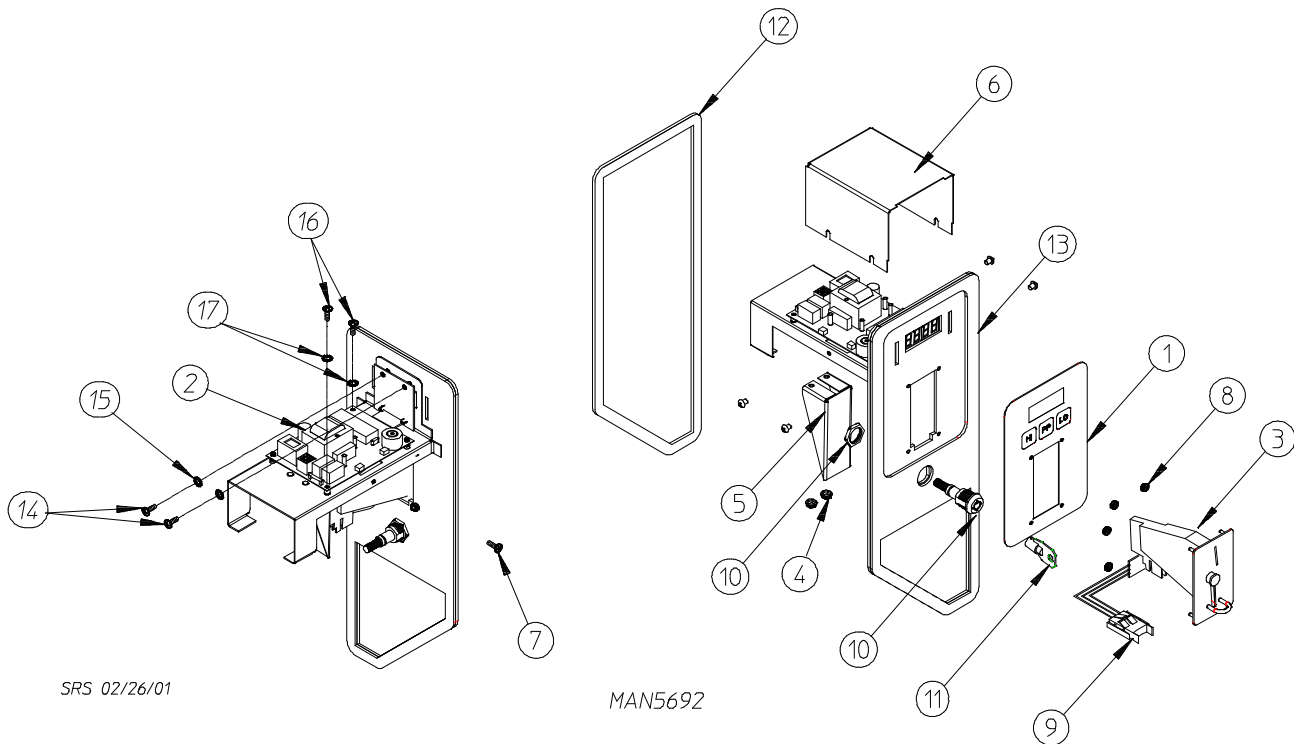
Table of Contents

Front Panel Assembly	3
Right Coin Computer Panel Type II	
For Models Mfd. as of February 15, 2001	4
Left Coin Computer Panel Type II	
For Models Mfd. as of February 15, 2001	5
Left Coin/Computer Assembly	
For Models Mfd. prior to February 15, 2001	6
Right Coin/Computer Assembly	
For Models Mfd. prior to February 15, 2001	7
Coin Chute Assembly	8
Coin Box/Vault Assembly (Left and Right)	9
Main Door “Steel” Assembly	10
Main Door Switch Assembly	11
Basket (Tumbler)/Support Assemblies	
For Models Mfd. as of December 12, 2000	12
Basket (Tumbler)/Support Assemblies	
For Models Mfd. prior to December 12, 2000	13
Top Locking Lint Basket Assembly	
For Models Mfd. as of July 17, 2000	14
Bottom Locking Lint Basket Assembly	
For Models Mfd. as of July 17, 2000	15
Top Lint Basket Assembly	
For Models Mfd. prior to July 17, 2000	16
Bottom Lint Drawer/Basket Assembly with Wide Face	
For Models Mfd. prior to July 17, 2000	17
Bottom Lint Basket Assembly without Lock	
For Models Mfd. prior to July 17, 2000	18
Separator Assembly	19
Rotational Sensor/Sail Switch and Teflon® Backup Washer Plate	20
Lint Coop and Adjustment Wheel Bracket Assembly	21
Left Rear Wheel Bracket (3-Bolt)	
For Models Mfd. as of October 17, 2000	22
Right Rear Wheel Bracket (3-Bolt)	
For Models Mfd. as of October 17, 2000	23
Rear Thruster Wheel Bracket Assembly	
For Models Mfd. prior to October 17, 2000	24
Microprocessor Temperature Sensor Bracket Assembly	25
Blower Motor Assembly	26
Rear Electrical Panel	27
Top Burner Box Assembly	28, 29
Bottom Burner Box Assembly	30, 31
Drive Motor/Motor Mount Assemblies	32
Exhaust Duct Assembly	33
Rear Back Guard Assembly	34
Wrapper Gasket	35



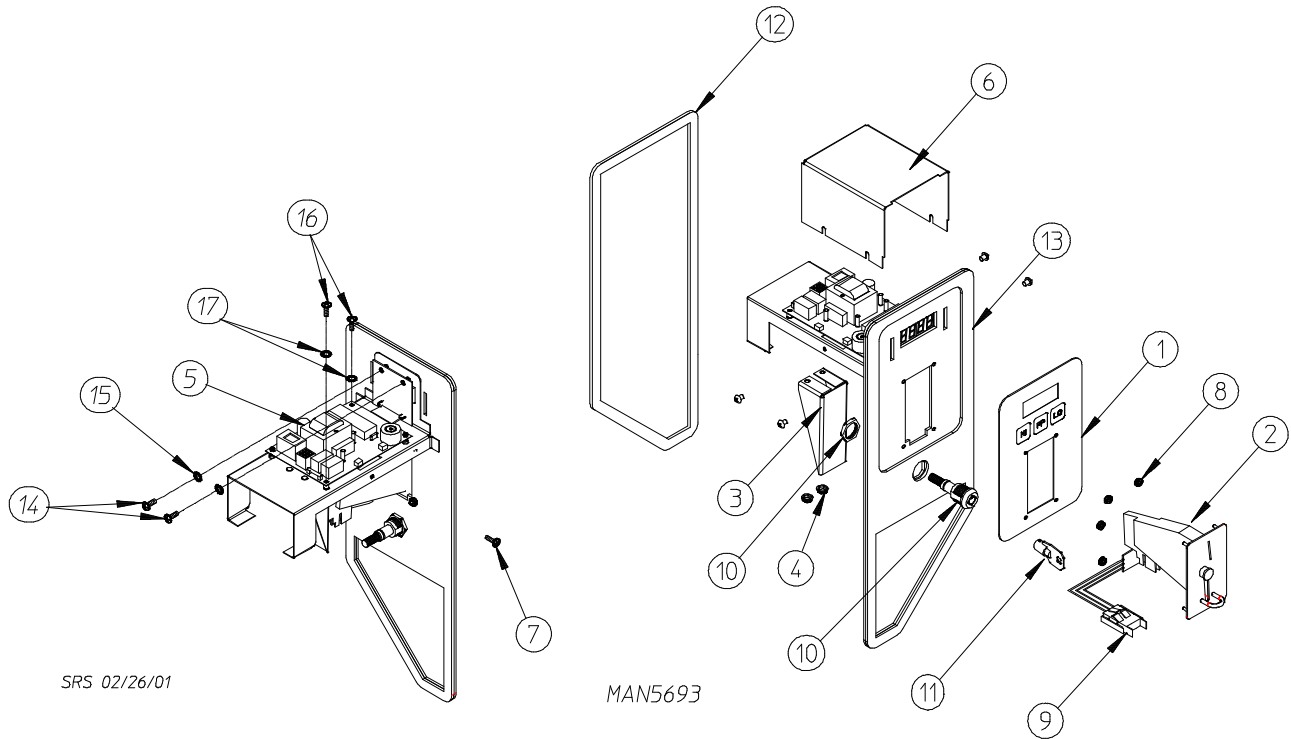
<u>Illus. No.</u>	<u>Part No.</u>	<u>Qty.</u>	<u>Description</u>
1	883144	1	White Right Hand Front Panel Assembly (includes illus. nos. 1, 2, 3, and 7)
	883149	1	Bisque Right Hand Front Panel Assembly (includes illus. nos. 1, 2, 3, and 7)
	883159	1	Stainless Steel Right Hand Front Panel Assembly (includes illus. nos. 1, 2, 3, and 7)
2	881987	2	Friction Door Latch Kit (includes illus. nos. 2 and 3)
3	154215	4	5/32 x 1/4" Rivet
4	-----	1	Top Hinge Block Assembly (refer to Main Door "Steel" Assembly on page 10)
5	-----	1	Main Door Switch (refer to Main Door Switch Assembly on page 11)
6	-----	1	Bottom Hinge Block Assembly (refer to Main Door "Steel" Assembly on page 10)
7	354197	2	Arrow Backup Plate
8	150517	10	#10-16 x 1-1/2" Hex Head TEK Screw
9	882798	1	Black Kick Plate
10	150311	2	#10-16 x 3/4" Hex Head TEK Crimplite Screw
11	150309	8	#10-16 x 1/2" Hex Head TEK Screw
12	881053	1	ADC Logo with Adhesive Tape

For Models Mfd. as of February 15, 2001



<u>Illus. No.</u>	<u>Part No.</u>	<u>Qty.</u>	<u>Description</u>
1	112574	1	Keyboard (touch pad)
2	137251	1	Computer Board with Display
3	881163	1	25¢ U.S. Hanke Coin Acceptor with Optic Switch
4	151001	2	#8-32 Pal Nut
5	354192	1	Optic Switch Protector
6	354260	1	Computer Cover
7	150201	4	#10-32 x 1/4" Phillips Pan Head Tap Screw
8	150102	4	Hanke Acceptor M3 Metric Hex Nut
9	883067	1	Hanke Optic Switch Assembly
10	182621	1	Control Panel Lock with Key
11	182622	1	Key ONLY (specify key number when ordering)
12	117603	4	1/8" x 9/16" Noise Suppressor Tape
13	883019	1	Right Computer Panel ONLY Type II
14	150005	2	#6-32 x 1/4" Phillips Right Hand Machine Screw
15	153010	2	#6 Star Washer
16	150005	2	#6-32 x 1/4" Phillips Right Hand Machine Screw
17	153010	2	#6 Star Washer

For Models Mfd. as of February 15, 2001

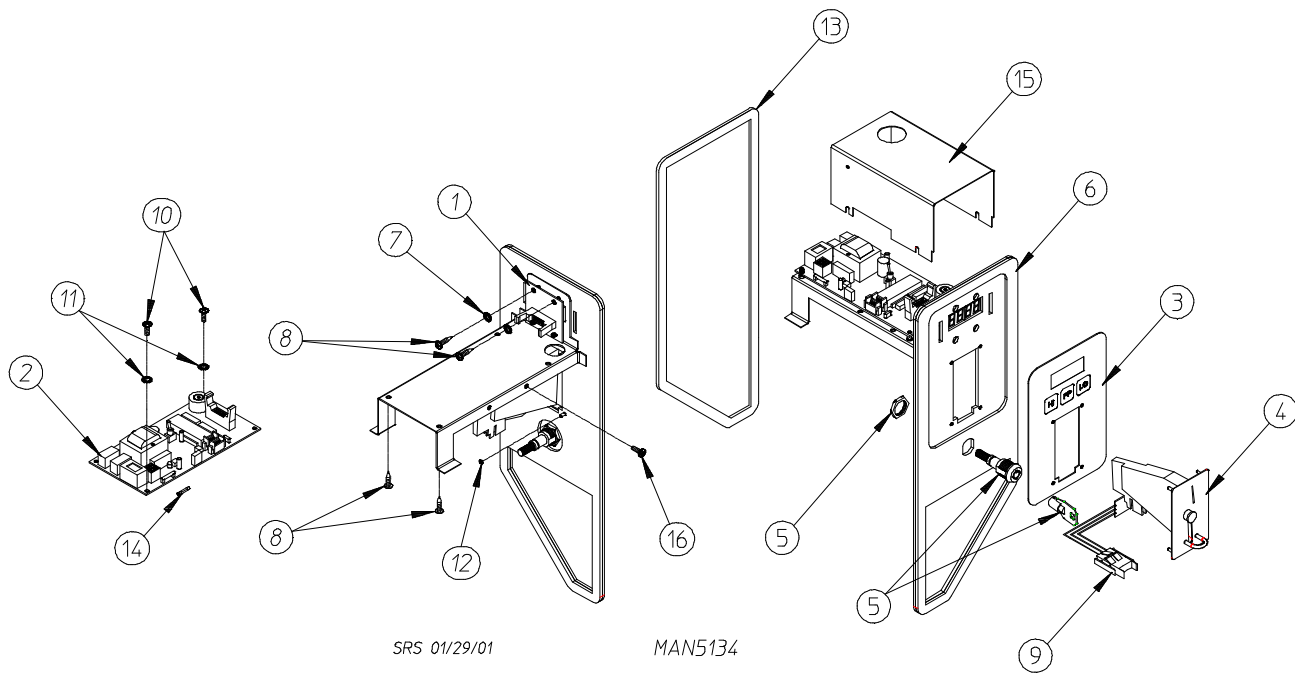


SRS 02/26/01

MAN5693

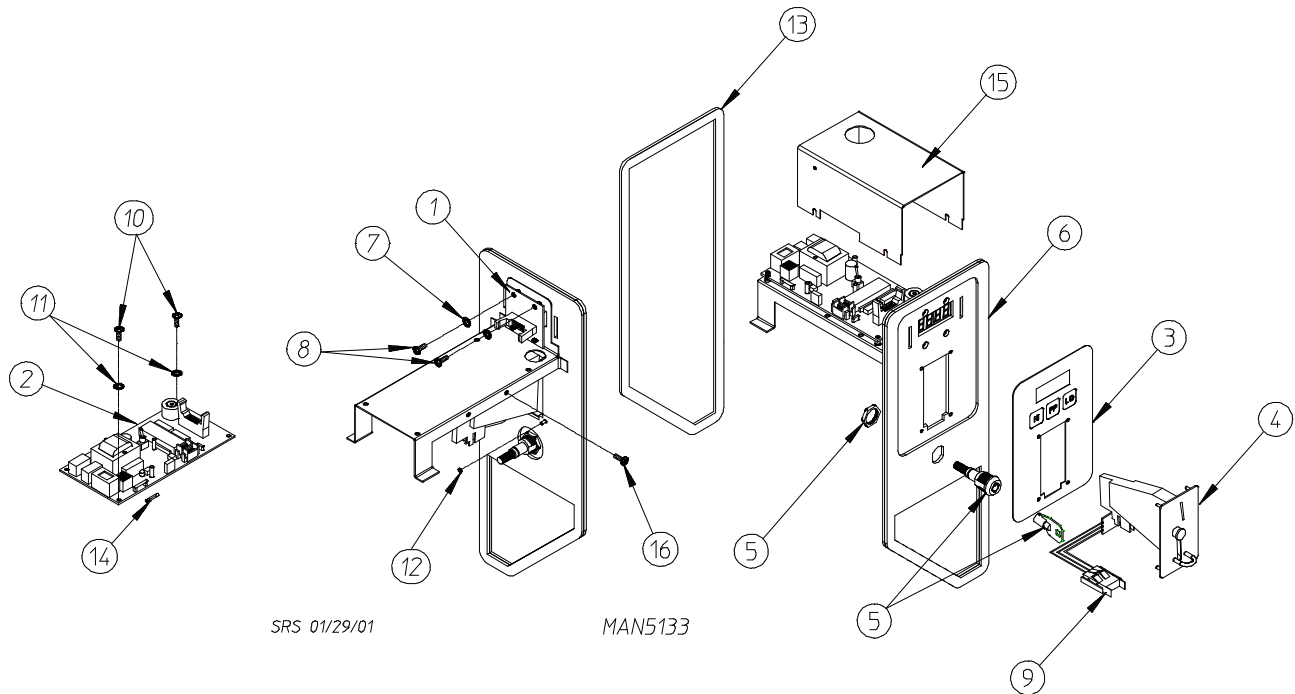
<u>Illus. No.</u>	<u>Part No.</u>	<u>Qty.</u>	<u>Description</u>
1	112574	1	Keyboard (touch pad)
2	881163	1	25¢ U.S. Hanke Coin Acceptor with Optic Switch
3	354192	1	Optic Switch Protector
4	151001	2	#8-32 Pal Nut
5	137251	1	Computer Board with Display
6	354260	1	Computer Cover
7	150201	4	#10-32 x 1/4" Phillips Pan Head Tap Screw
8	150102	4	Hanke Acceptor M3 Metric Hex Nut
9	883067	1	Hanke Optic Switch Assembly
10	182621	1	Control Panel Lock with Key
11	182622	1	Key ONLY (specify key number when ordering)
12	117603	4	1/8" x 9/16" Noise Suppressor Tape
13	883018	1	Left Computer Panel ONLY Type II
14	150005	2	#6-32 x 1/4" Phillips Right Hand Machine Screw
15	153010	2	#6 Star Washer
16	150005	2	#6-32 x 1/4" Phillips Right Hand Machine Screw
17	153010	2	#6 Star Washer

For Models Mfd. prior to February 15, 2001



<u>Illus. No.</u>	<u>Part No.</u>	<u>Qty.</u>	<u>Description</u>
1	137098	1	Display Board
2	137139	1	Computer Board
	137104	1	Grey Ribbon Cable...Not Illustrated
3	112574	1	Keyboard (touch pad)
4	881163	1	25¢ U.S. Hanke Coin Acceptor with Optic Switch
5	182621	1	Control Panel Lock with Key
	182622	1	Key ONLY (specify key number when ordering)
6	882679	1	Left Computer Panel ONLY
7	153010	2	#6 Star Washer
8	150005	2	#6-32 x 1/4" Phillips Round Head Machine Screw
9	881143	1	Hanke Optic Switch Assembly
10	150005	2	#6-32 x 1/4" Phillips Round Head Machine Screw
11	153010	2	#6 Star Washer
12	152102	4	Hanke Acceptor M3 Metric Hex Nut
13	117603	4	1/8" x 9/16" Noise Suppressor Tape
14	136048	1	1/8-amp (Slo-Blo) Fuse ONLY
15	354230	1	Computer Board Cover
16	150301	4	#8-18 x 7/16" Phillips Head TEK Screw

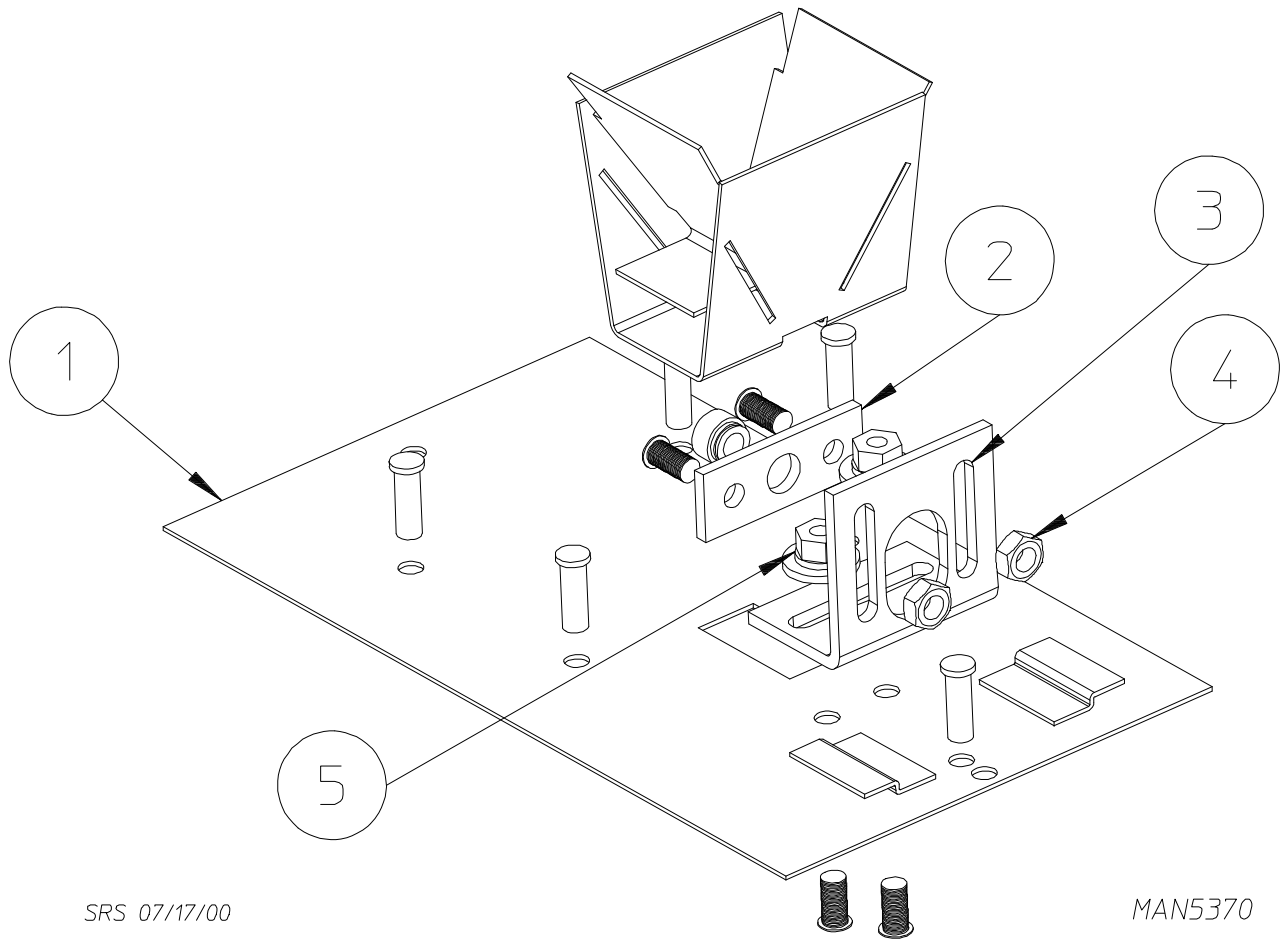
For Models Mfd. prior to February 15, 2001



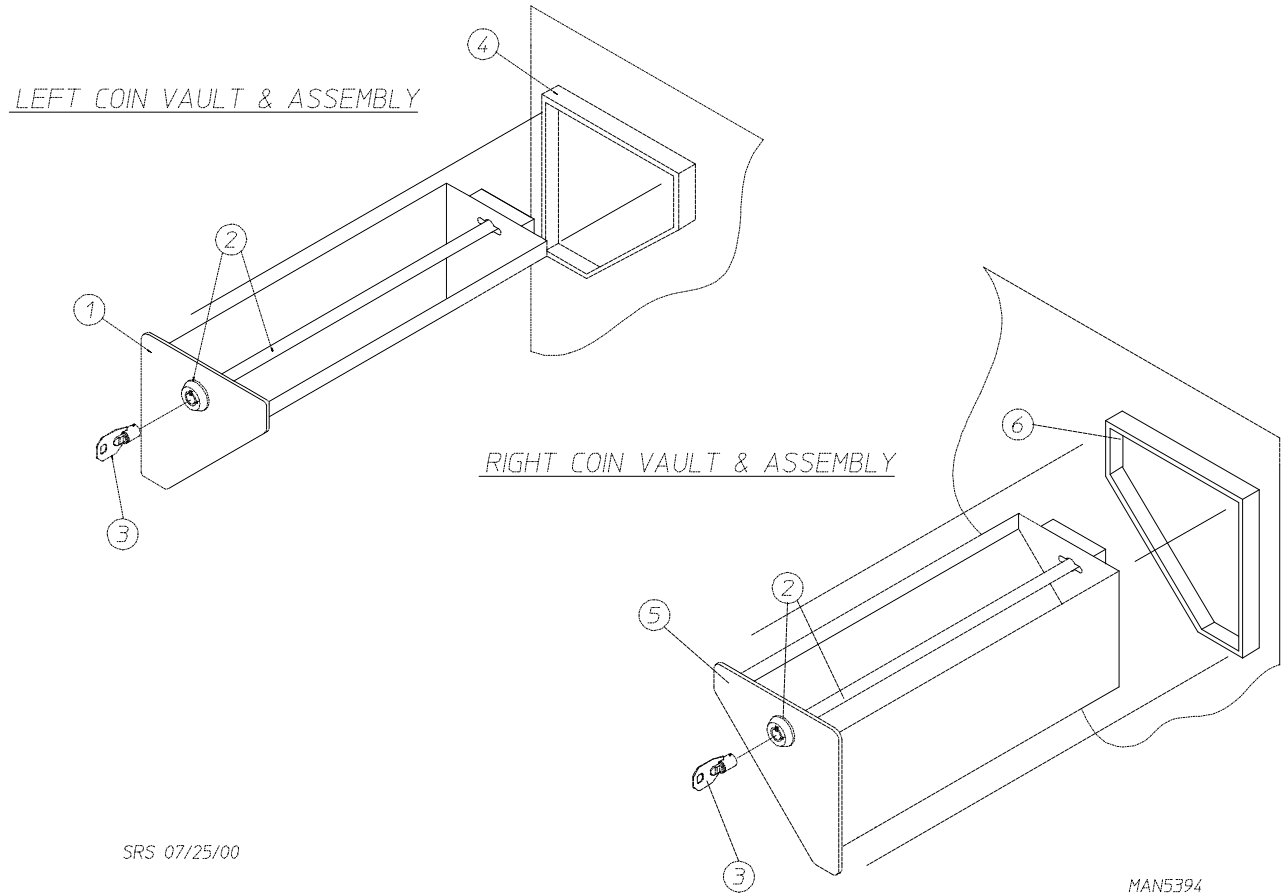
SRS 01/29/01

MAN5133

<u>Illus. No.</u>	<u>Part No.</u>	<u>Qty.</u>	<u>Description</u>
1	137098	1	Display Board
2	137139	1	Computer Board
	137104	1	Grey Ribbon Cable...Not Illustrated
3	112574	1	Keyboard (touch pad)
4	881163	1	25¢ U.S. Hanke Coin Acceptor with Optic Switch
5	182621	1	Control Panel Lock with Key
	182622	1	Key ONLY (specify key number when ordering)
6	882936	1	Right Computer Panel ONLY
7	153010	2	#6 Star Washer
8	150005	2	#6-32 x 1/4" Phillips Round Head Machine Screw
9	881143	1	Hanke Optic Switch Assembly
10	150005	2	#6-32 x 1/4" Phillips Round Head Machine Screw
11	153010	2	#6 Star Washer
12	152102	4	Hanke Acceptor M3 Metric Hex Nut
13	117603	4	1/8" x 9/16" Noise Suppressor Tape
14	136048	1	1/8-amp (Slo-Blo) Fuse ONLY
15	354230	1	Computer Board Cover
16	150301	4	#8-18 x 7/16" Phillips Head TEK Screw

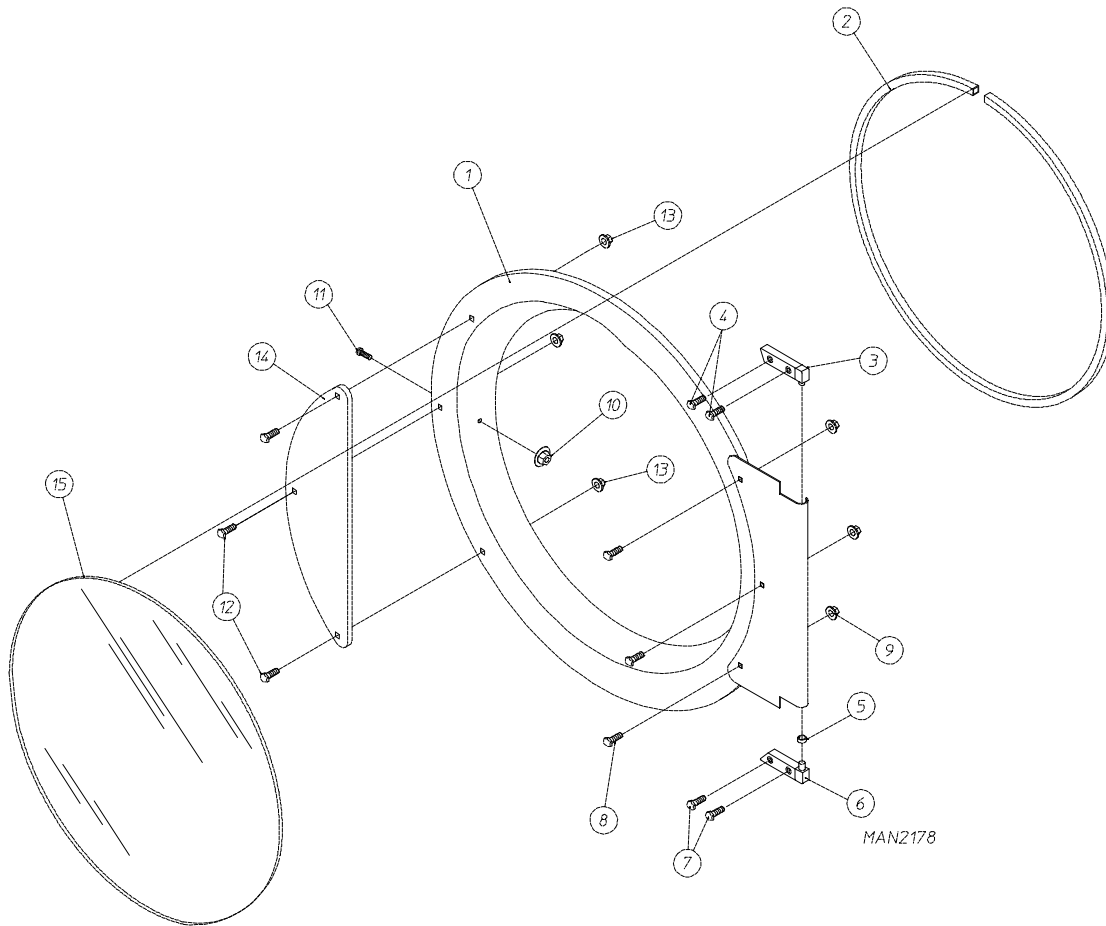


<u>Illus. No.</u>	<u>Part No.</u>	<u>Qty.</u>	<u>Description</u>
1	882715	1	Coin Chute
2	882937	1	Control Panel Lock Plate
3	354180	1	Control Panel Lock Bracket
4	152002	2	1/4-20 Hex Nut
5	152014	2	1/4-20 Free Spin Wash Nut

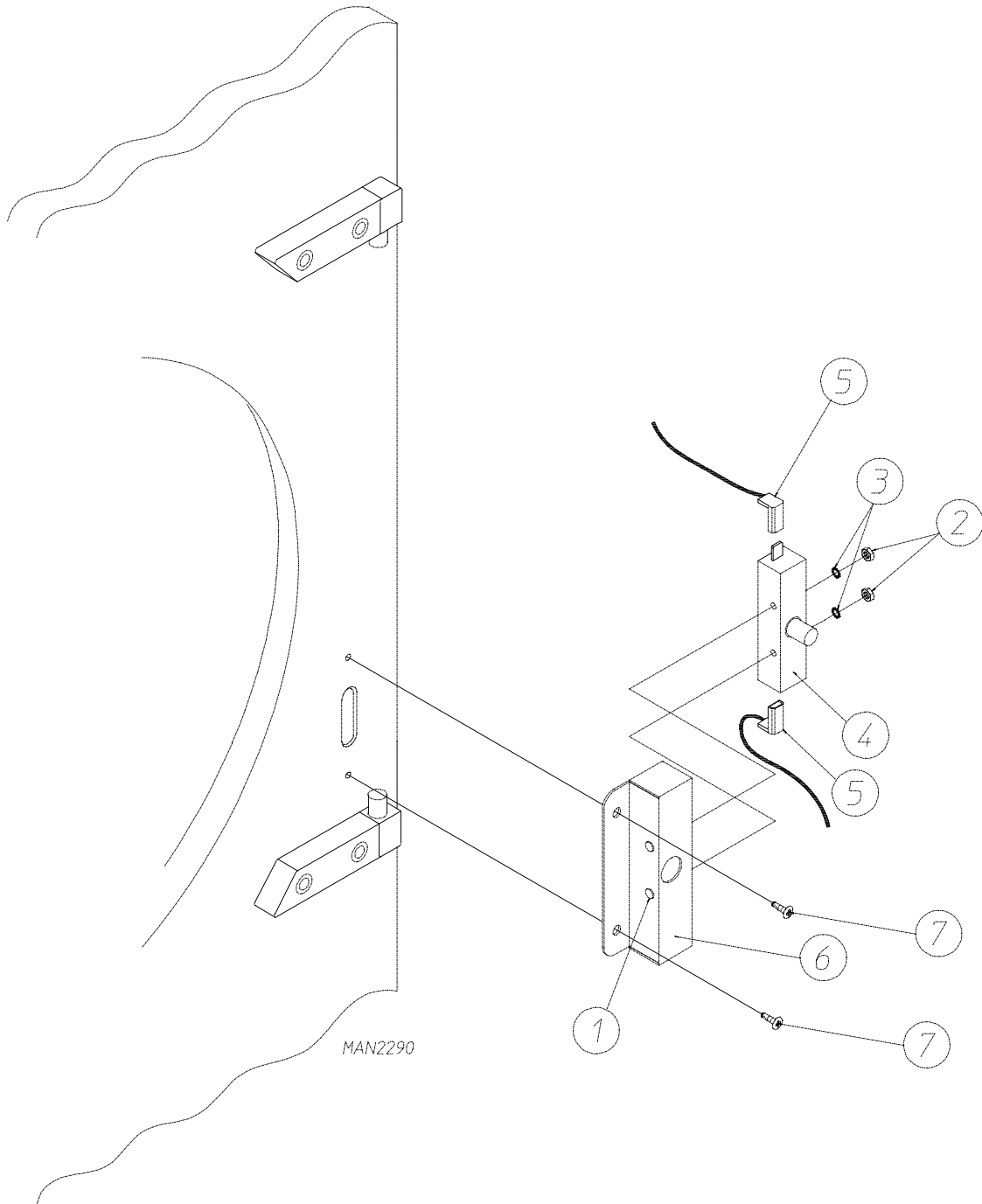


<u>Illus. No.</u>	<u>Part No.</u>	<u>Qty.</u>	<u>Description</u>
1	882740	1	Black Left/Right Coin Box Face Plate ONLY
	882745	1	Left Coin Box with Black Face Plate (less lock)
2	882672	1	Coin Box Lock Kit (includes 2 locks "keyed alike")
3	160136*	1	Coin Box Lock Key ONLY
4	882742	1	Black Left Coin Vault ONLY
5	882740	1	Black Left/Right Coin Box Face Plate ONLY
	882746	1	Right Coin Box with Black Face Plate (less lock)
6	882741	1	Black Right Coin Vault ONLY

* Specify key number when ordering.

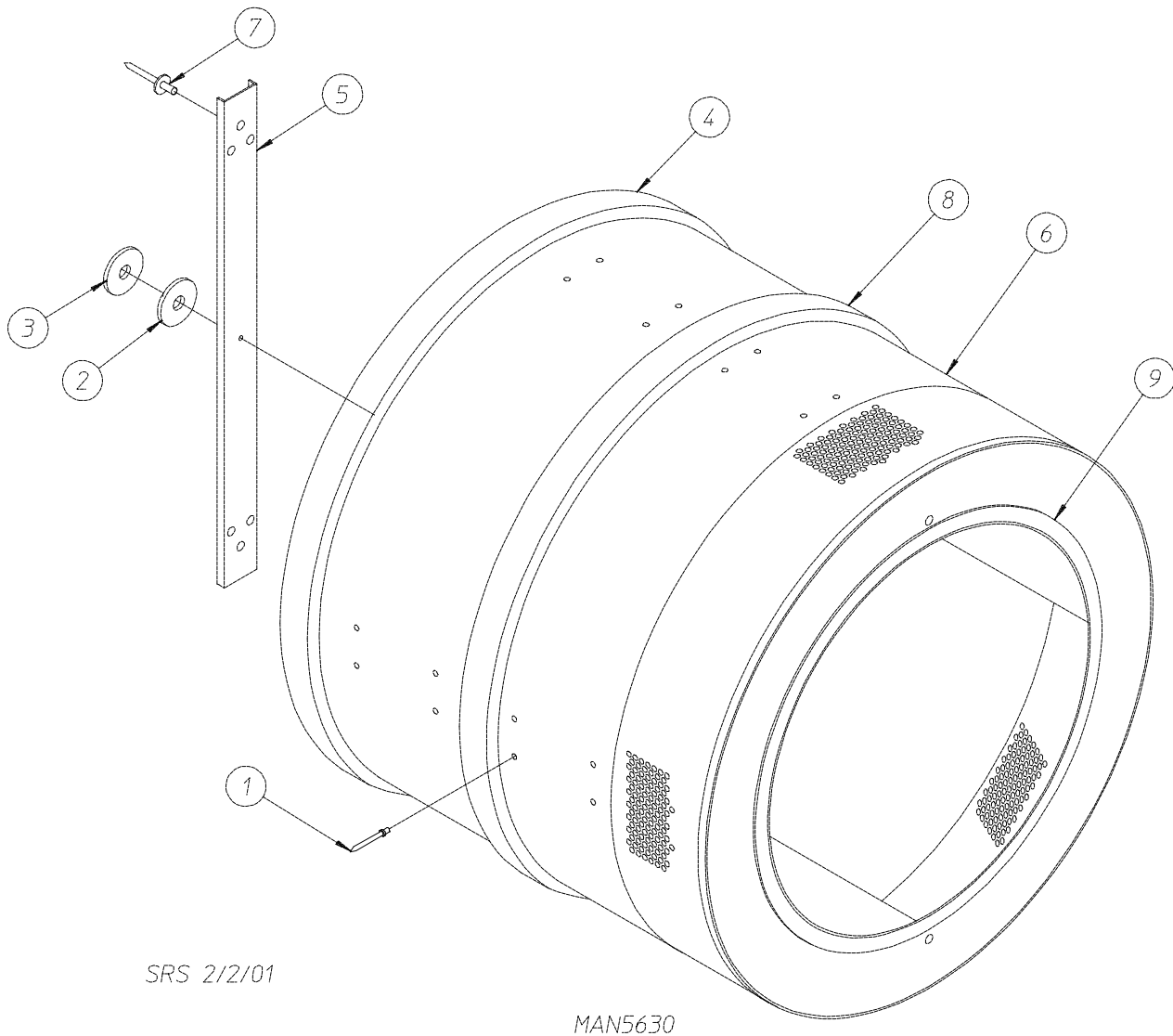


<u>Illus. No.</u>	<u>Part No.</u>	<u>Qty.</u>	<u>Description</u>
1	881150	1	Black Main Door Assembly Complete (includes illus. nos. 1, 2, and 8 through 15)
2	102353	1	Door Gasket
	170731	1	Gasket Adhesive (black) 10.3 oz. Cartridge
	170730	1	Gasket Adhesive (clear) 10.3 oz. Cartridge
3	881152	1	Top Hinge Block (black) (includes illus. nos. 3 and 4)
4	150445	2	1/4-20 x 3/4" Black Cap Head Setscrew
5	153031	1	1/4" Nylon Washer
6	881151	1	Bottom Hinge Block (black)
7	150445	2	1/4-20 x 3/4" Black Cap Head Setscrew
8	150683	3	1/4-20 x 5/8" Carriage Bolt (black)
9	152014	3	1/4-20 Free Spin Wash Nut
10	151010	1	#10-32 Hex Acorn Nut (black)
11	150120	1	Door Latch Screw
12	150683	3	1/4-20 x 5/8" Carriage Bolt (black)
13	152014	3	1/4-20 Free Spin Wash Nut
14	881210	1	Black Main Door Handle ONLY
15	102211	1	#20-7/16" Door Glass
	170731	1	Glass Adhesive (black) 10.3 oz. Cartridge
	170730	1	Glass Adhesive (clear) 10.3 oz. Cartridge



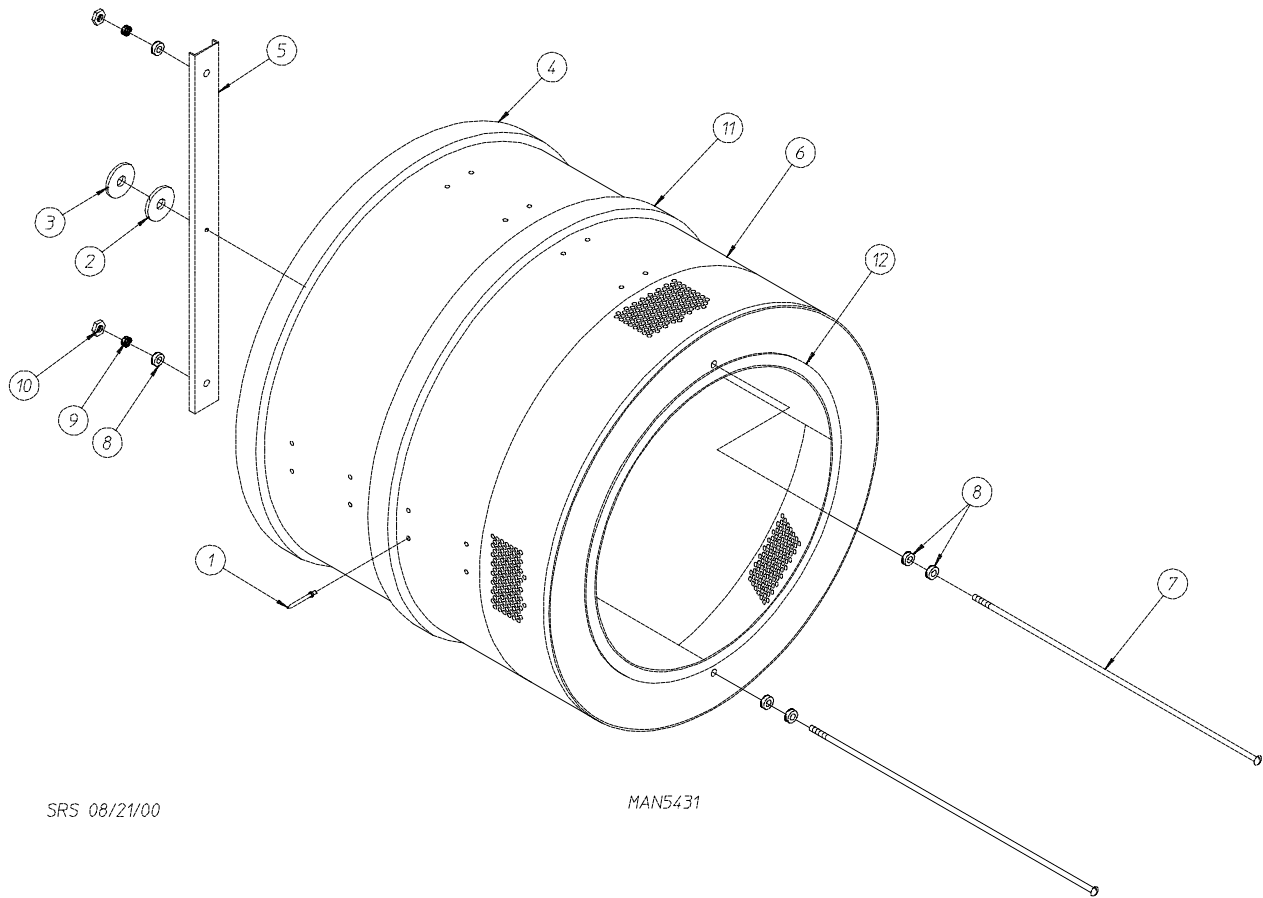
<u>Illus. No.</u>	<u>Part No.</u>	<u>Qty.</u>	<u>Description</u>
1	153566	2	#6-32 x 7/8" Clinch Stud
2	152013	2	#6-32 Hex Nut
3	153010	2	#6 Star Washer
4	137005	1	Door Switch
5	122636	2	Flag Terminal
6	881211	1	Black Main Door Switch Housing ONLY
	881153	1	Black Main Door Switch Housing Complete (includes illus. nos. 1, 2, 3, 4, and 6)
7	150301	2	#8-18 x 7/16" Phillips Pan Head TEK Screw

For Models Mfd. as of December 12, 2000



<u>Illus. No.</u>	<u>Part No.</u>	<u>Qty.</u>	<u>Description</u>
1	154210	40	5/32" x 3/16" Pop Rivet
2	354217	1	Spacer Plate
3	153048	1	Inner Friction Teflon® Pad
4	116332	1	94" x 2-1/2" x 1/8" Felt Collar
5	882765	1	One Arm Basket (Tumbler) Support Assembly (includes illus. nos. 2, 3, and 5)
6	882766	1	Basket (Tumbler) Assembly for One Arm Basket (Tumbler) Support (includes illus. nos. 1, 4, and 9)
	882990	1	One Arm Basket (Tumbler) and Support Assembly Complete (includes illus. nos. 1 through 7 and 9)
7	154210	6	5/32" x 3/16" Pop Rivet
8	100191	1	12 Rib 105" Long (J) High Temperature Belt
9	115992	1	Inner Ring Felt Collar
	401010	1	#847 Adhesive for Felt Collar (5 oz. tube)

For Models Mfd. prior to December 12, 2000

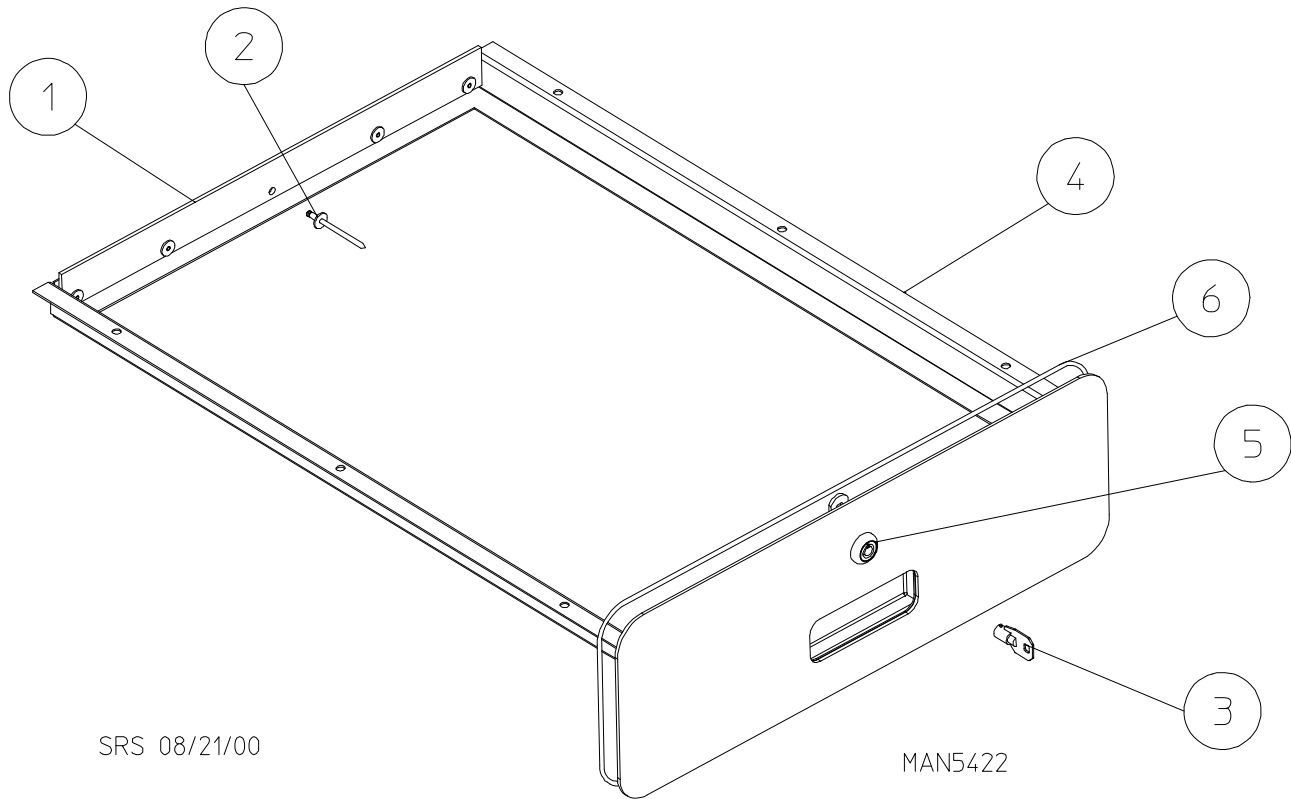


SRS 08/21/00

MAN5431

<u>Illus. No.</u>	<u>Part No.</u>	<u>Qty.</u>	<u>Description</u>
1	154210	40	5/32" x 3/16" Pop Rivet
2	354217	1	Spacer Plate
3	153048	1	Inner Friction Teflon® Pad
4	116332	1	94" x 2-1/2" x 1/8" Felt Collar
5	882765	1	One Arm Basket (Tumbler) Support Assembly (includes illus. nos. 2, 3, and 5)
6	882766	1	Basket (Tumbler) Assembly for One Arm Basket (Tumbler) Support (includes illus. nos. 1, 4, and 12)
	882788	1	One Arm Basket (Tumbler) and Support Assembly Complete (includes illus. nos. 1 through 10 and 12)
7	100918	2	3/8-16 x 26-3/4" Hex Head Tie Rod
8	153004	10	3/8" x 1" Flat Washer
9	153005	2	3/8" Split Lock Washer
10	152005	2	3/8-16 Hex Nut
11	100191	1	12 Rib 105" Long (J) High Temperature Belt
12	115992	1	Inner Ring Felt Collar
	401010	1	#847 Adhesive for Felt Collar (5 oz. tube)

For Models Mfd. as of July 17, 2000

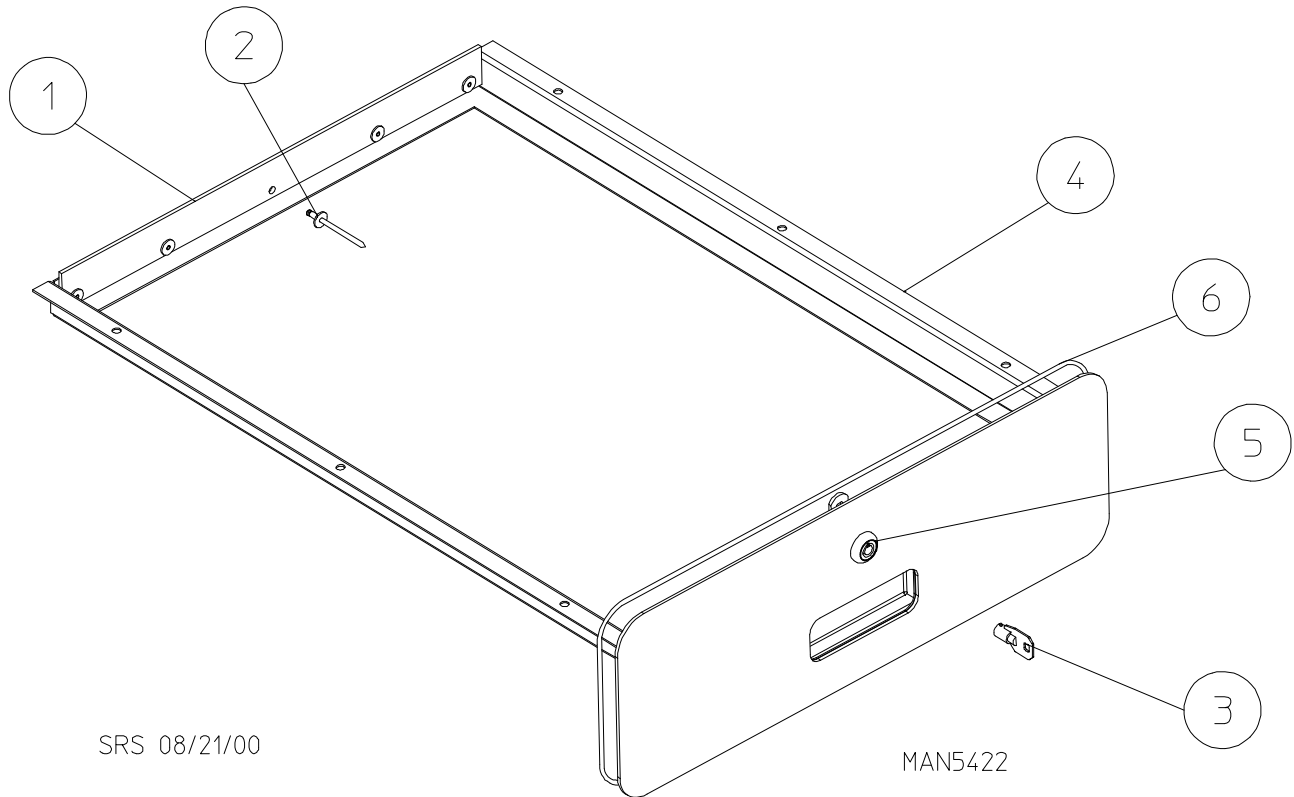


SRS 08/21/00

MAN5422

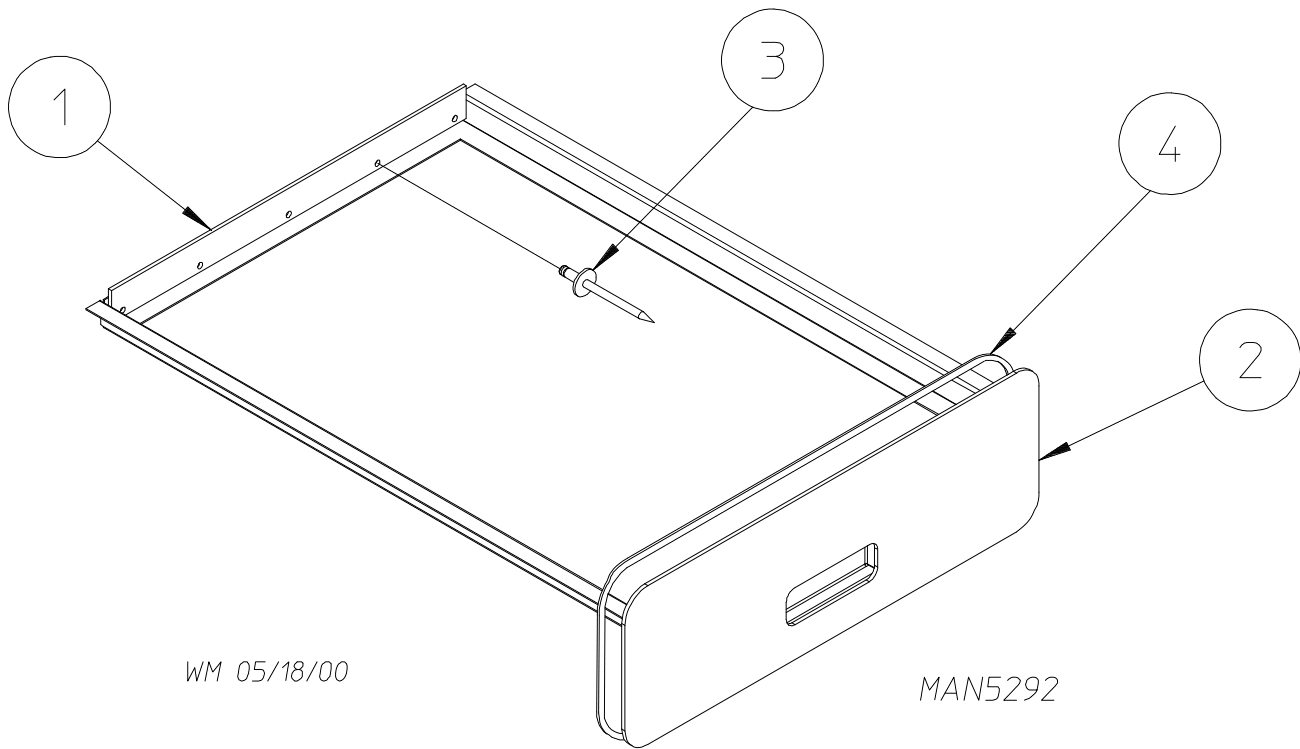
<u>Illus. No.</u>	<u>Part No.</u>	<u>Qty.</u>	<u>Description</u>
1	115904	1	Lint Basket Felt
2	154210	5	5/32" x 3/16" Pop Rivet
3	160140	1	Key ONLY For XX4451
4	882787	1	Top Locking Lint Basket with Lock (white) (includes illus. nos. 1 through 5)
	882794	1	Top Locking Lint Basket with No Lock (bisque) (includes illus. nos. 1, 2, and 4)
5	160038	1	Lint Basket Lock with Cam (no key)
	160050	1	Lint Basket Lock (no cam and key) For Stainless Steel ONLY
6	117605	4	1/4" x 3/8" Neoprene Sponge Tape (sold by the foot)

For Models Mfd. as of July 17, 2000



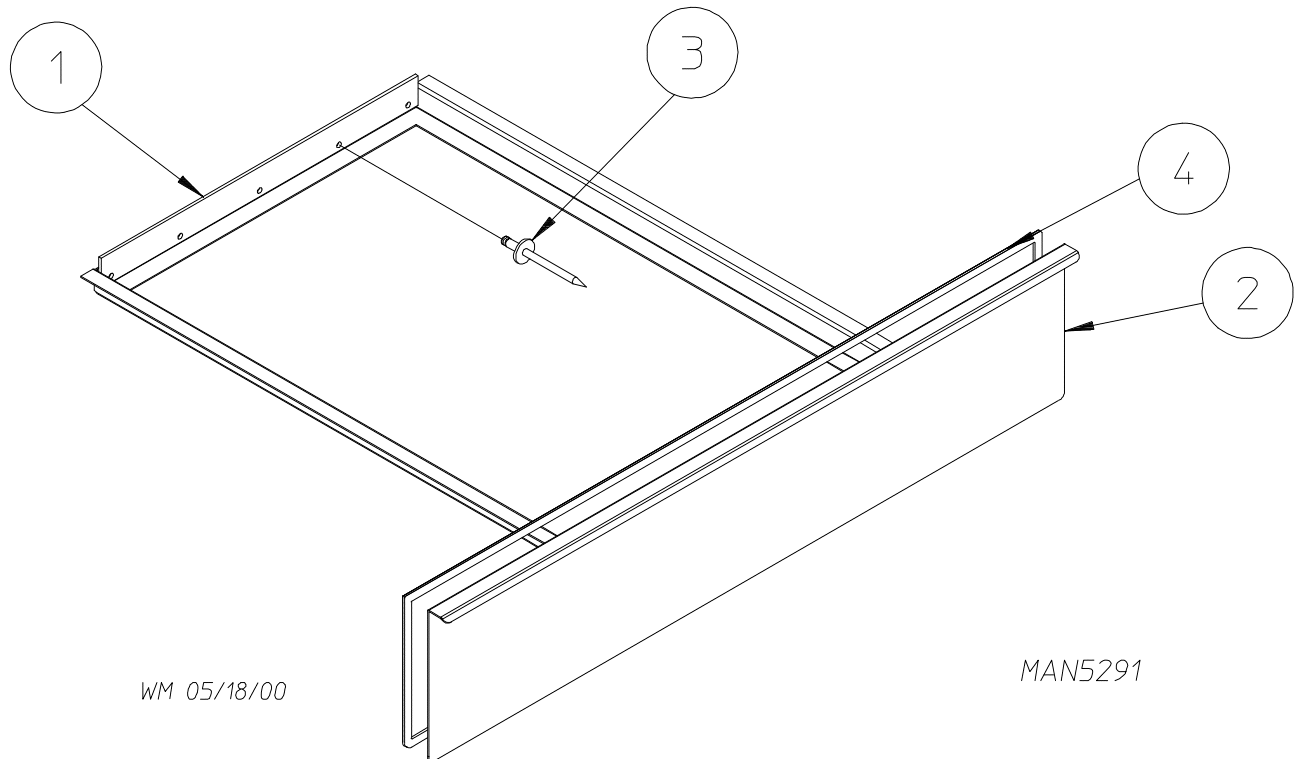
<u>Illus. No.</u>	<u>Part No.</u>	<u>Qty.</u>	<u>Description</u>
1	115904	1	Lint Basket Felt
2	154210	5	5/32" x 3/16" Pop Rivet
3	160140	1	Key ONLY For XX4451
4	882797	1	Bottom Locking Lint Basket Assembly with Lock (black) (includes illus. nos. 1 through 6)
	882796	1	Bottom Locking Lint Basket Assembly with No Lock (black) (includes illus. nos. 1, 2, 4, and 6)
5	160038	1	Lint Basket Lock with Cam (no key)
6	117604	4	1/8" x 3/8" Neoprene Sponge Tape (sold by the foot)

For Models Mfd. prior to July 17, 2000

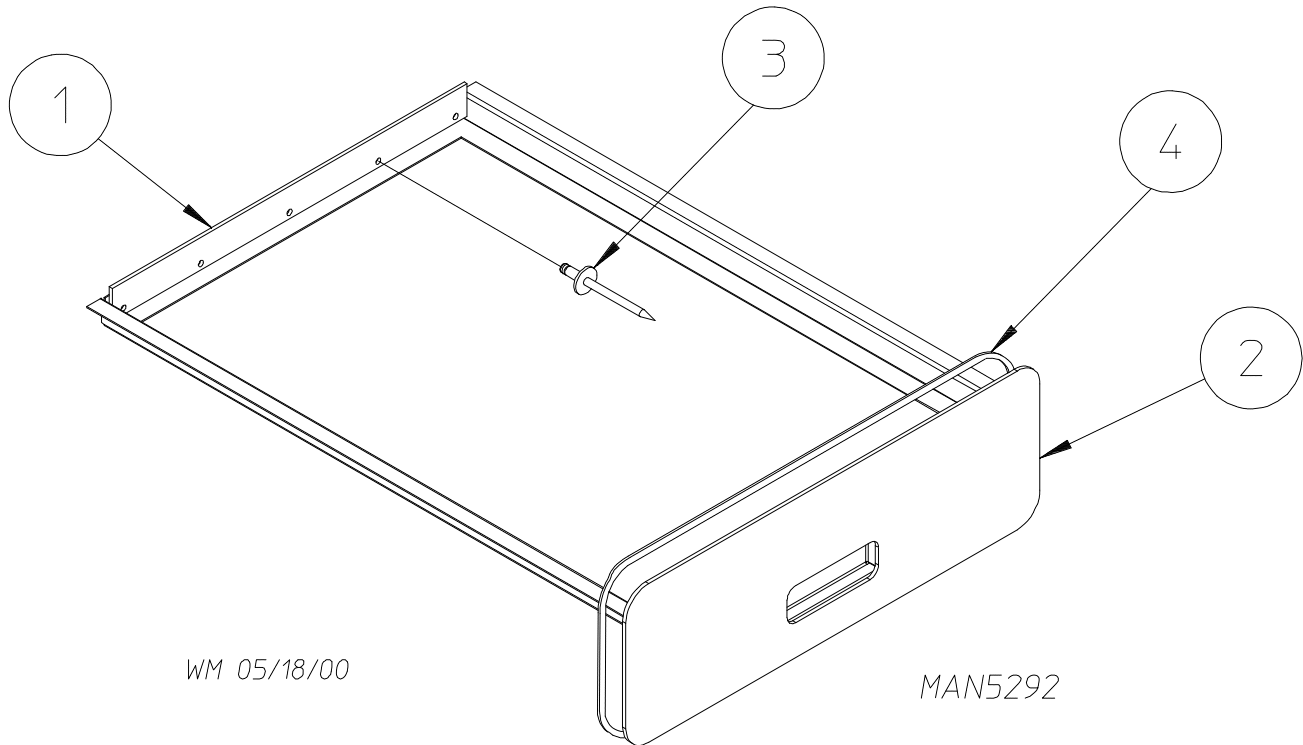


<u>Illus. No.</u>	<u>Part No.</u>	<u>Qty.</u>	<u>Description</u>
1	115904	1	Lint Basket Felt
2	882681	1	White Top Lint Basket Assembly (includes illus. nos. 1 through 4)
	882877	1	Bisque Top Lint Basket Assembly (includes illus. nos. 1 through 4)
3	154210	5	5/32" x 3/16" Pop Rivet
4	117605	4	1/4" x 3/8" Neoprene Sponge Tape (sold by the foot)

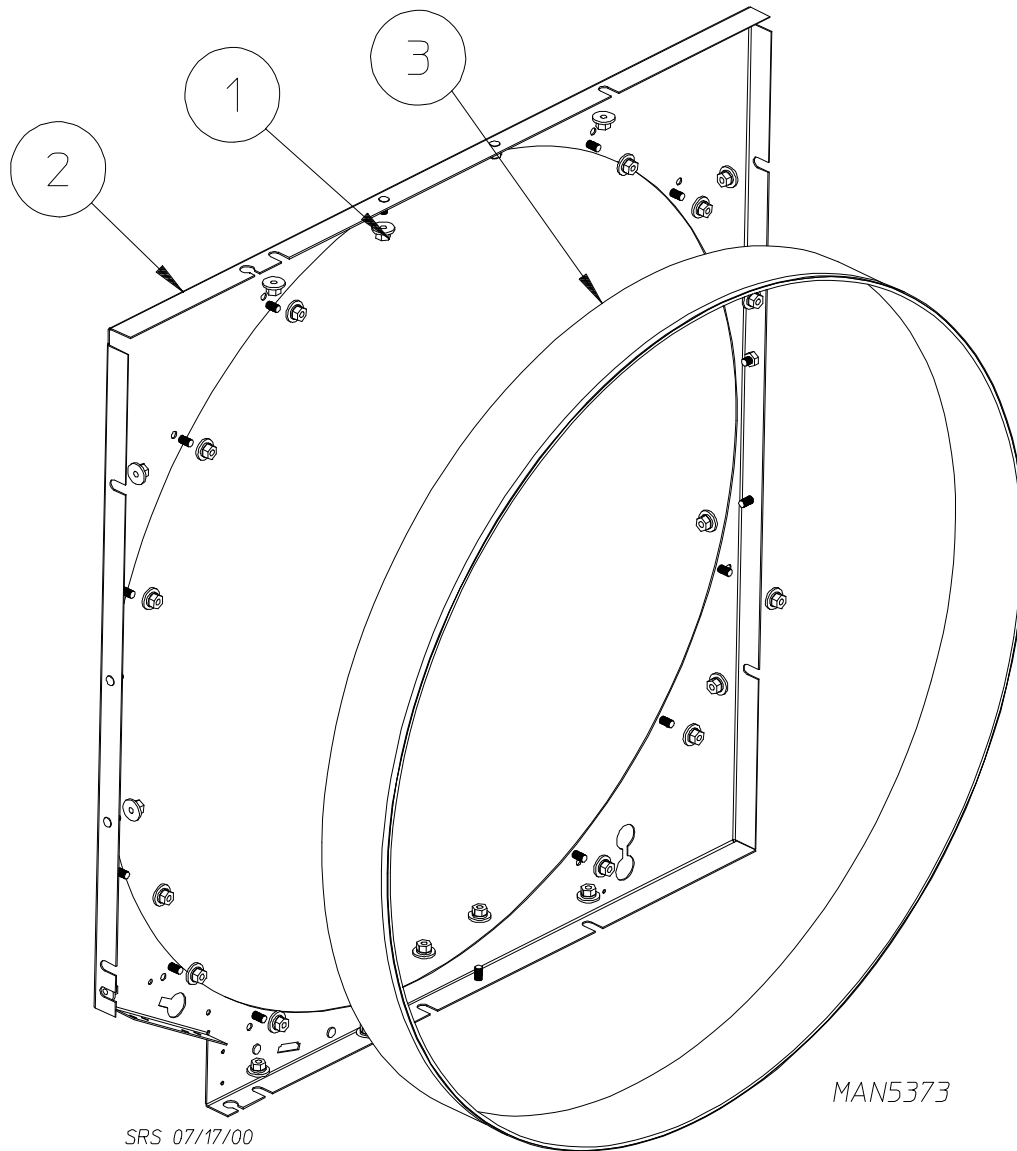
For Models Mfd. prior to July 17, 2000



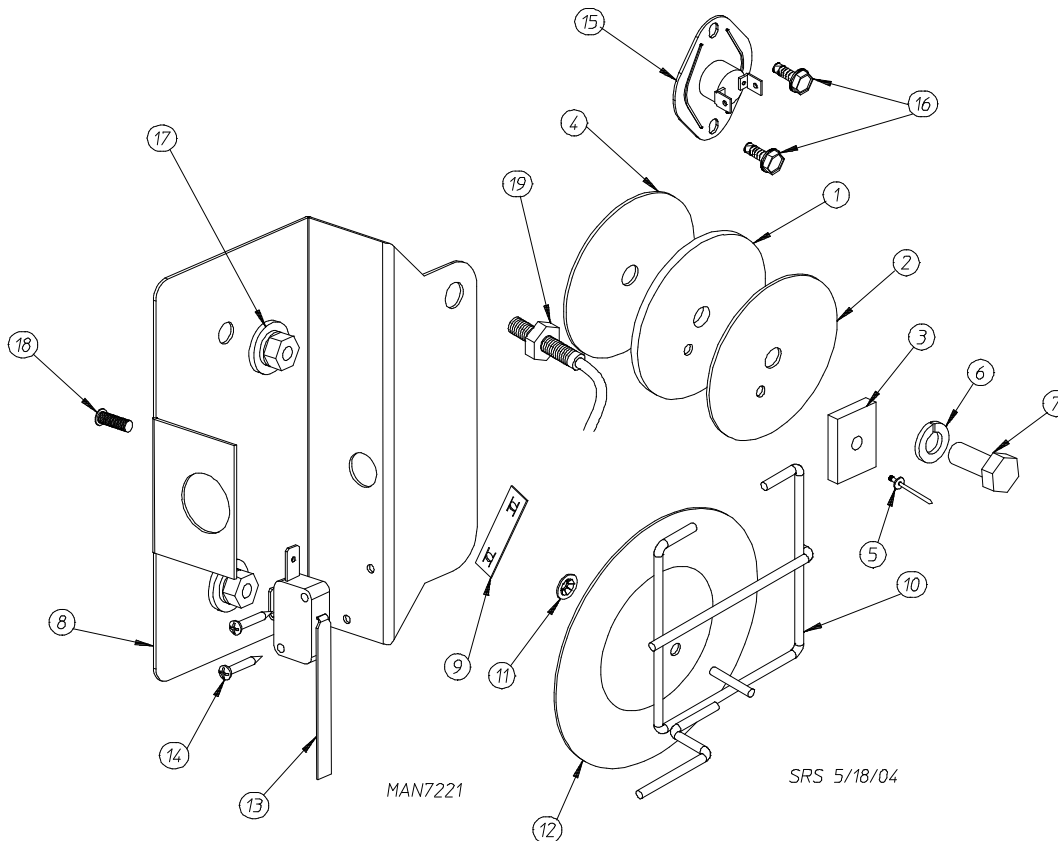
<u>Illus. No.</u>	<u>Part No.</u>	<u>Qty.</u>	<u>Description</u>
1	115904	1	Lint Basket Felt
2	882680	1	Lint Drawer/Basket Assembly Complete (includes illus. nos. 1 through 3)
3	154210	5	5/32" x 3/16" Pop Rivet
4	117605	6	1/4" x 3/8" Neoprene Sponge Tape (sold by the foot)

For Models Mfd. prior to July 17, 2000

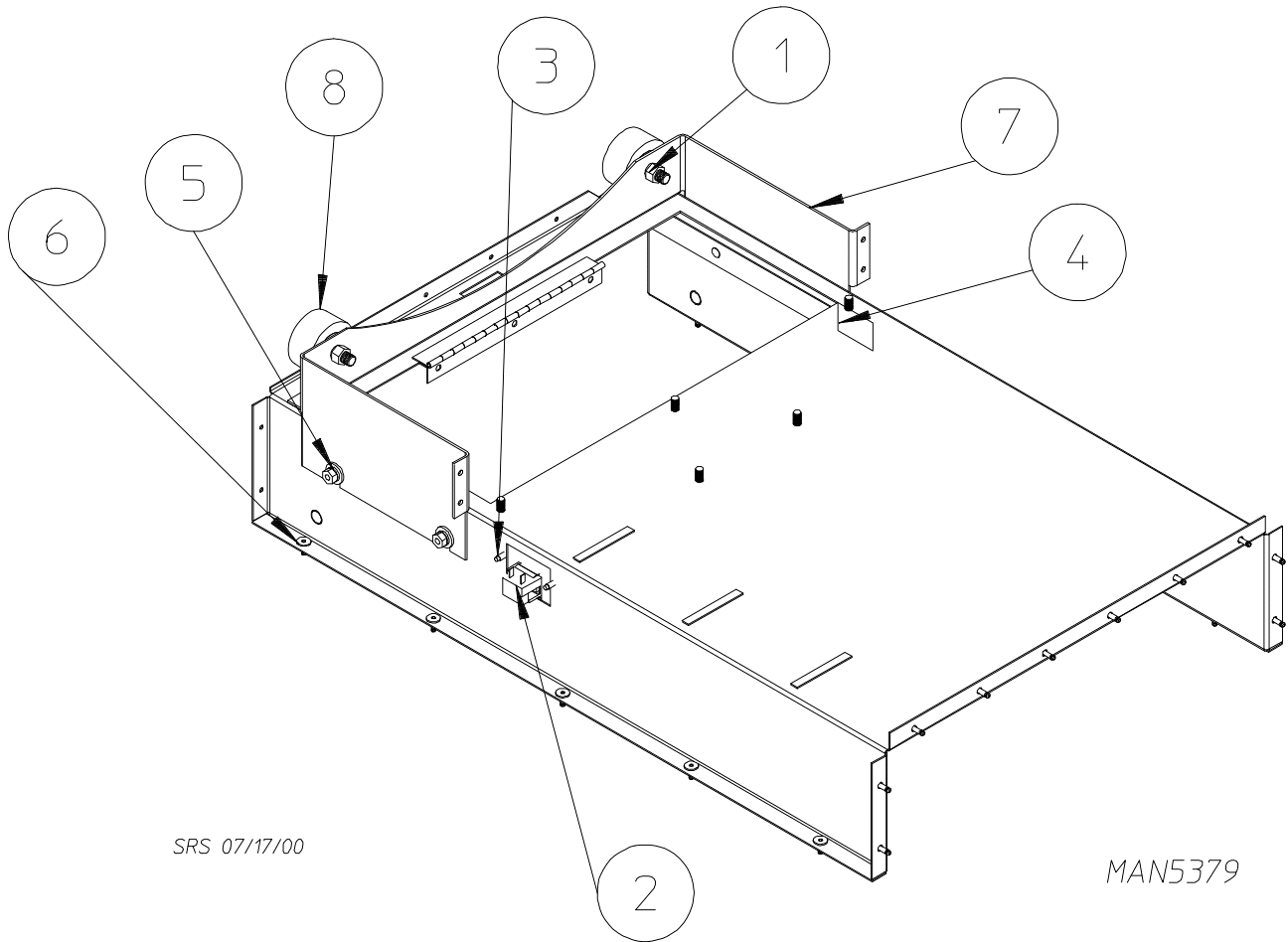
<u>Illus. No.</u>	<u>Part No.</u>	<u>Qty.</u>	<u>Description</u>
1	115904	1	Lint Basket Felt
2	882878	1	Black Bottom Lint Basket Assembly (includes illus. nos. 1 through 4)
3	154210	5	5/32" x 3/16" Pop Rivet
4	117604	4	1/4" x 3/8" Neoprene Sponge Tape (sold by the foot)



<u>Illus. No.</u>	<u>Part No.</u>	<u>Qty.</u>	<u>Description</u>
1	152014	18	1/4-20 Free Spin Wash Nut
2	882926	1	Inner Ring Separator Bracket
	882717	1	Inner Ring Separator Assembly (includes illus. nos. 1 through 3)
3	115903	1	Basket (tumbler) Separation Felt



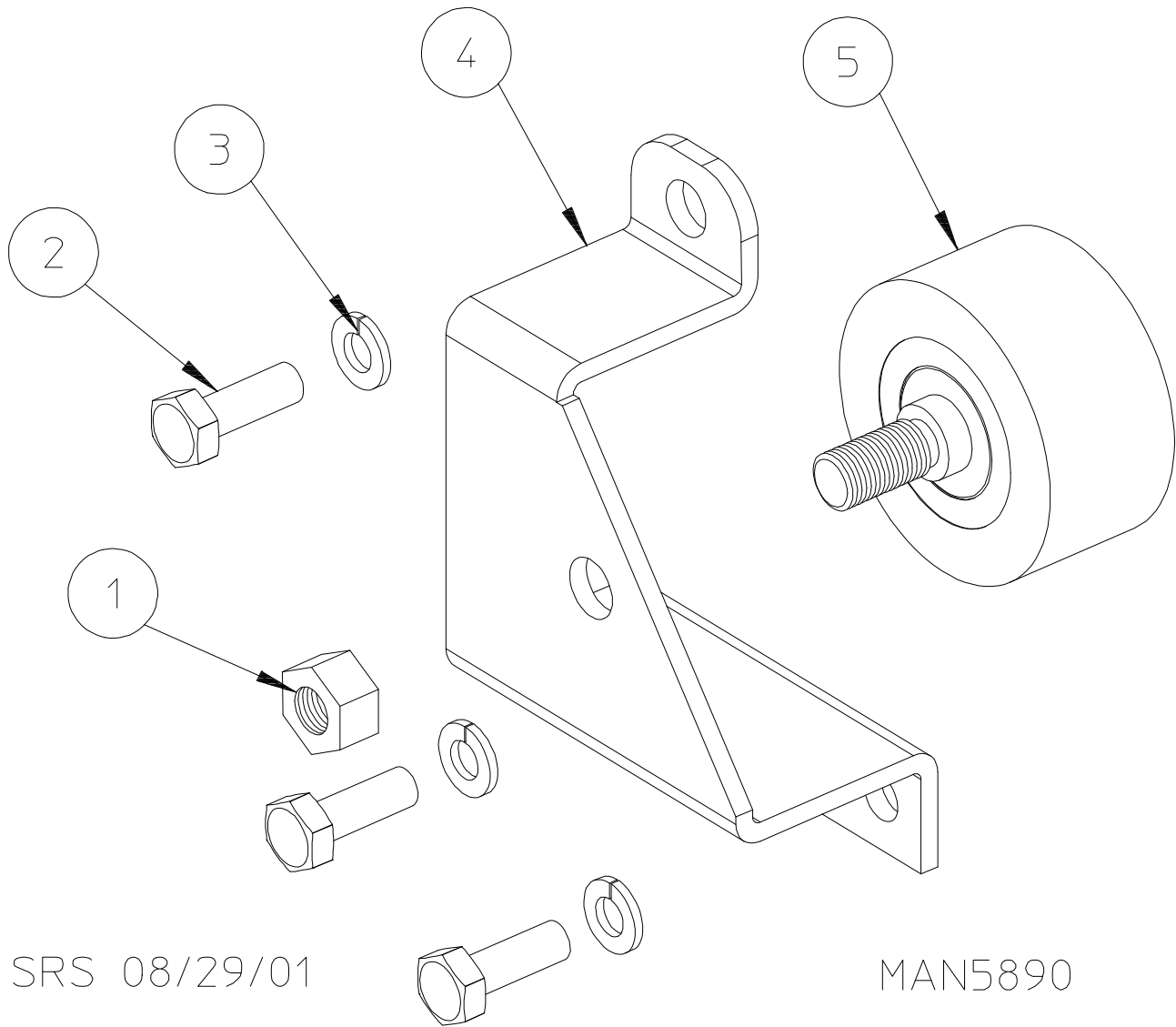
<u>Illus. No.</u>	<u>Part No.</u>	<u>Qty.</u>	<u>Description</u>
1	882747	1	Teflon® Backup Washer and Magnet Assembly (includes illus. nos. 1 through 5)
	153047	1	Outer Friction Pad
2	354203	1	Teflon® Backup Washer
3	102102	1	Magnet
4	-----	1	Inner Teflon® Pad (refer to Basket Support Assembly on page 12 and page 13)
5	154218	1	1/8" x 3/8" Aluminum Pop Rivet
6	153002	1	5/16" Split Lock Washer
7	150501	1	5/16-18 x 3/4" Tap Bolt
8	882748	1	Sail Switch and Rotational Sensor Bracket (includes illus. nos. 8, 9, 13, 14, 17, and 18)
9	154004	1	Twin Speed Nut
10	105550	1	Sail Switch Rod
11	154002	1	1/8" Push On Fastener
12	319206	1	Sail Switch Damper
13	122200	1	Sail Switch ONLY
14	150303	2	#4 x 3/4" Pan Head "A" Machine Screw
15	130102	1	190° Rear Basket (tumbler) Hi-Limit
16	150300	2	#10-16 x 1/2" Hex Washer TEK Screw
17	152014	2	1/4-20 Free Spin Wash Nut
18	153528	1	#8-32 x 1/2" Self-Clinching Stud
19	824807	1	Rotational Sensor Magnetic Reed Switch



SRS 07/17/00

MAN5379

<u>Illus. No.</u>	<u>Part No.</u>	<u>Qty.</u>	<u>Description</u>
1	150220	2	3/8-24 Hex Nut
2	122002	1	Lint Drawer Switch
3	150309	2	#10-16 x 1/2" Hex Head TEK Crimptite Screw
4	882927	1	Lint Coop ONLY
	882716	1	Lint Coop Assembly Complete (includes illus. nos. 1 through 8)
5	152014	4	1/4-20 Free Spin Wash Nut
6	154210	20	5/32" x 3/16" Pop Rivet
7	354067	1	Adjustment Wheel Bracket
	883119	1	Adjustment Wheel Bracket Assembly Complete (includes illus. nos. 1, 7, and 8)
8	882799	2	Thruster Wheel (includes illus. nos. 1 and 8)

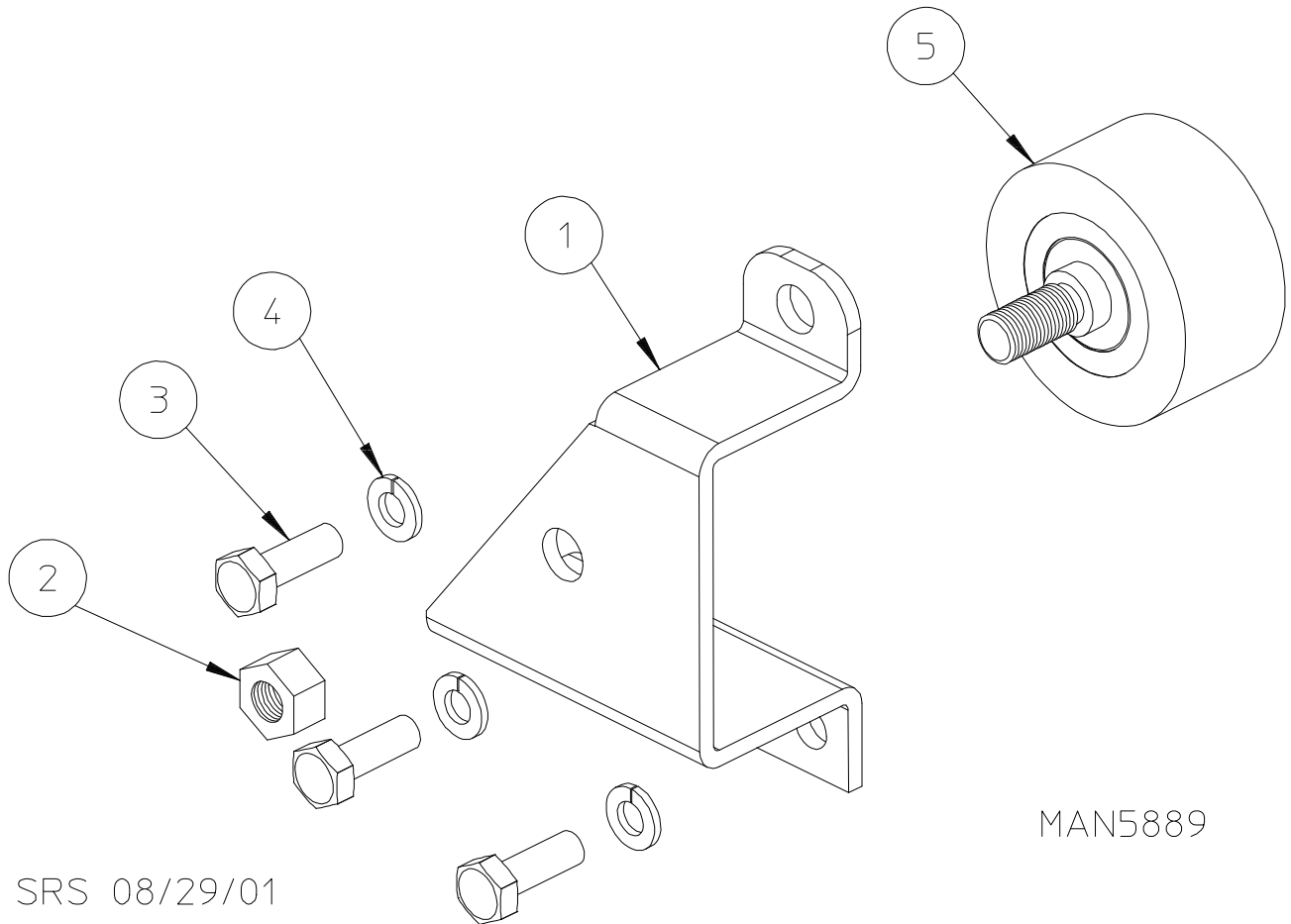


SRS 08/29/01

MAN5890

<u>Illus. No.</u>	<u>Part No.</u>	<u>Qty.</u>	<u>Description</u>
1	150220	1	3/8-24 Hex Nut
2	150510	2	1/4-20 x 3/4" Hex Head Machine Bolt
3	153007	2	1/4" Split Lock Washer
4	883004	1	Left Rear Roller Wheel Bracket ONLY (3-bolt)
	883125	1	Left Rear Roller Wheel Bracket Assembly with Hardware (3-bolt)
5	882799	1	Thruster Wheel

For Models Mfd. as of October 17, 2000

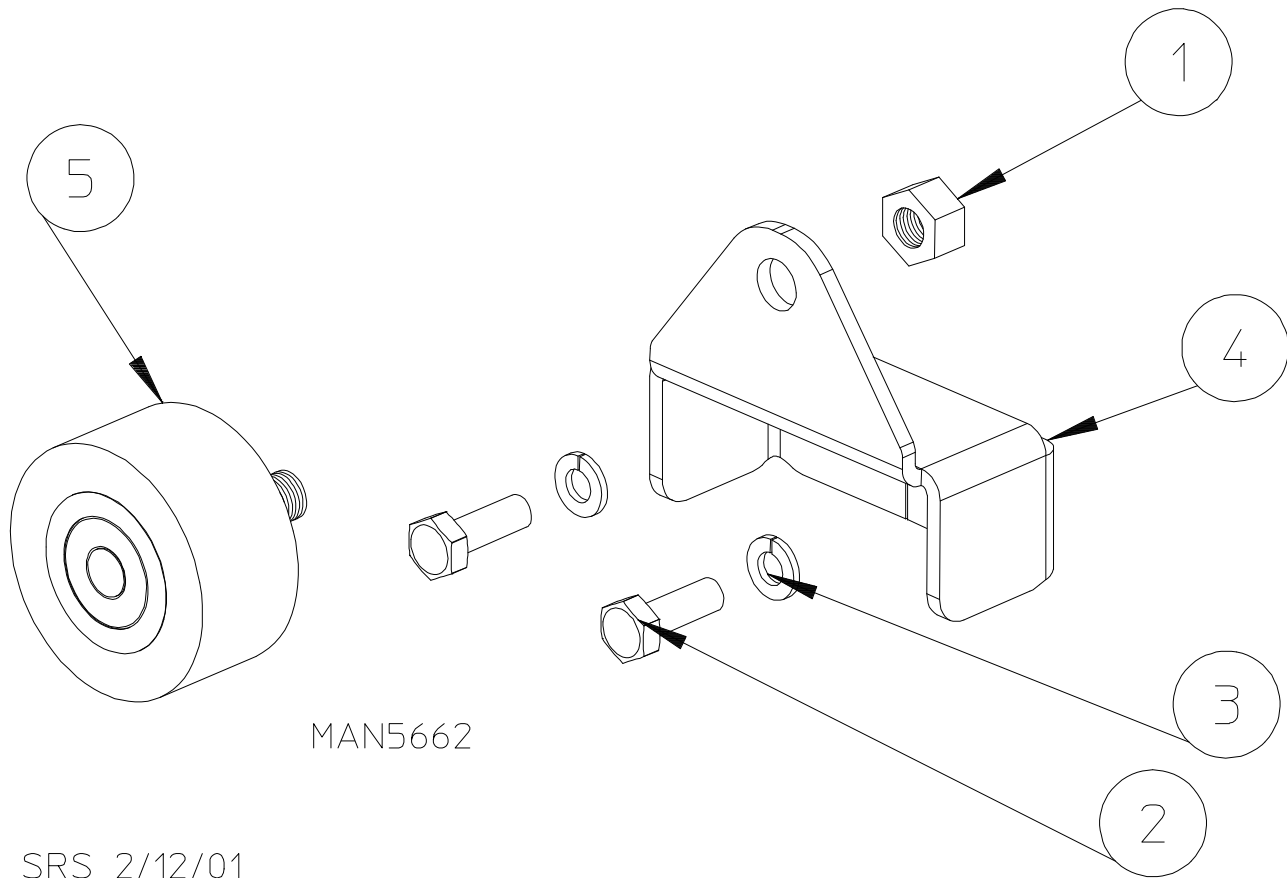


SRS 08/29/01

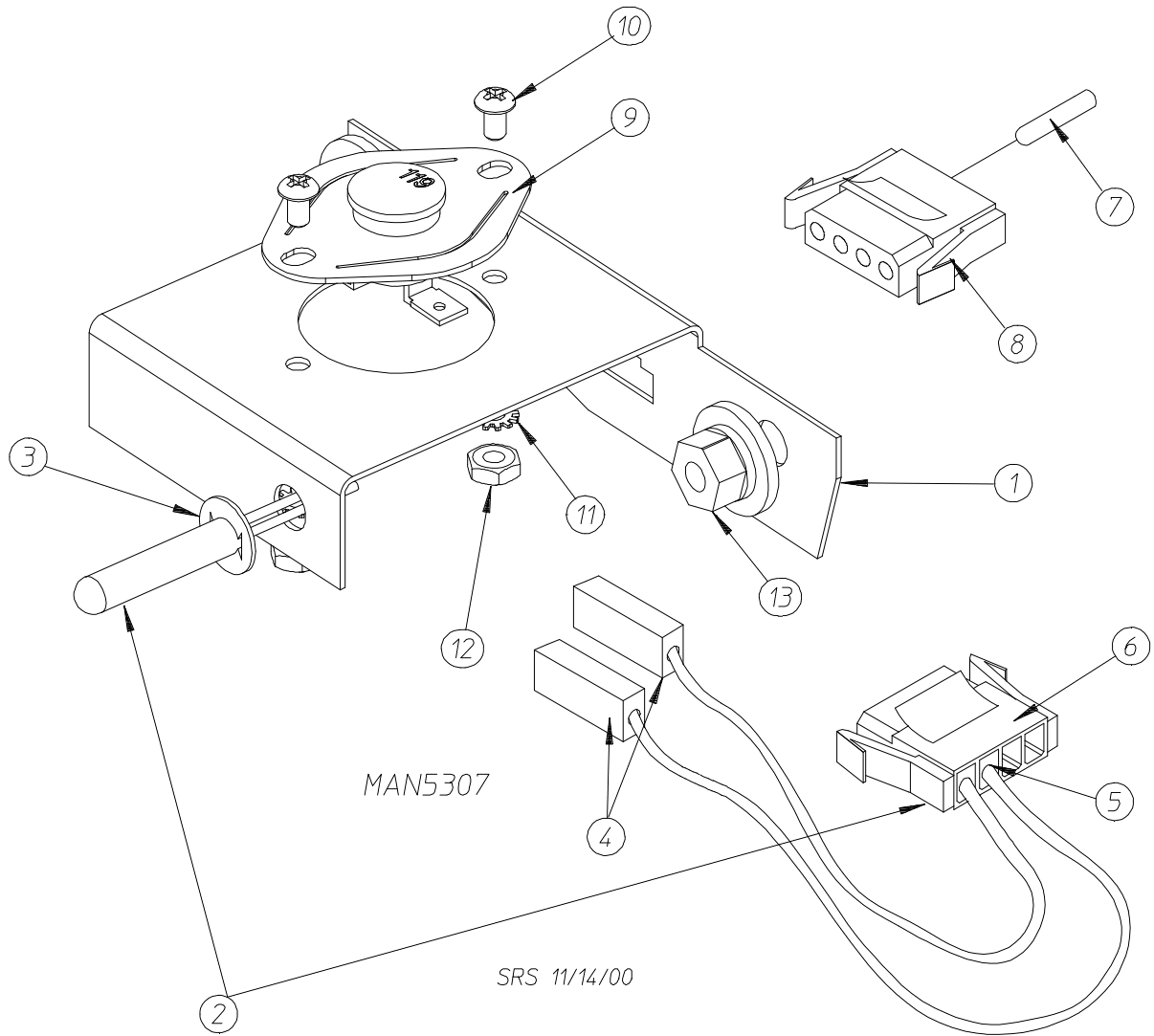
MAN5889

<u>Illus. No.</u>	<u>Part No.</u>	<u>Qty.</u>	<u>Description</u>
1	883005	1	Right Rear Roller Wheel Bracket ONLY (3-bolt)
	883126	1	Right Rear Roller Wheel Bracket Assembly with Hardware (3-bolt)
2	150220	1	3/8-24 Hex Nut
3	150510	3	1/4-20 x 3/4" Hex Head Machine Bolt
4	153007	3	1/4" Split Lock Washer
5	882799	1	Thruster Wheel

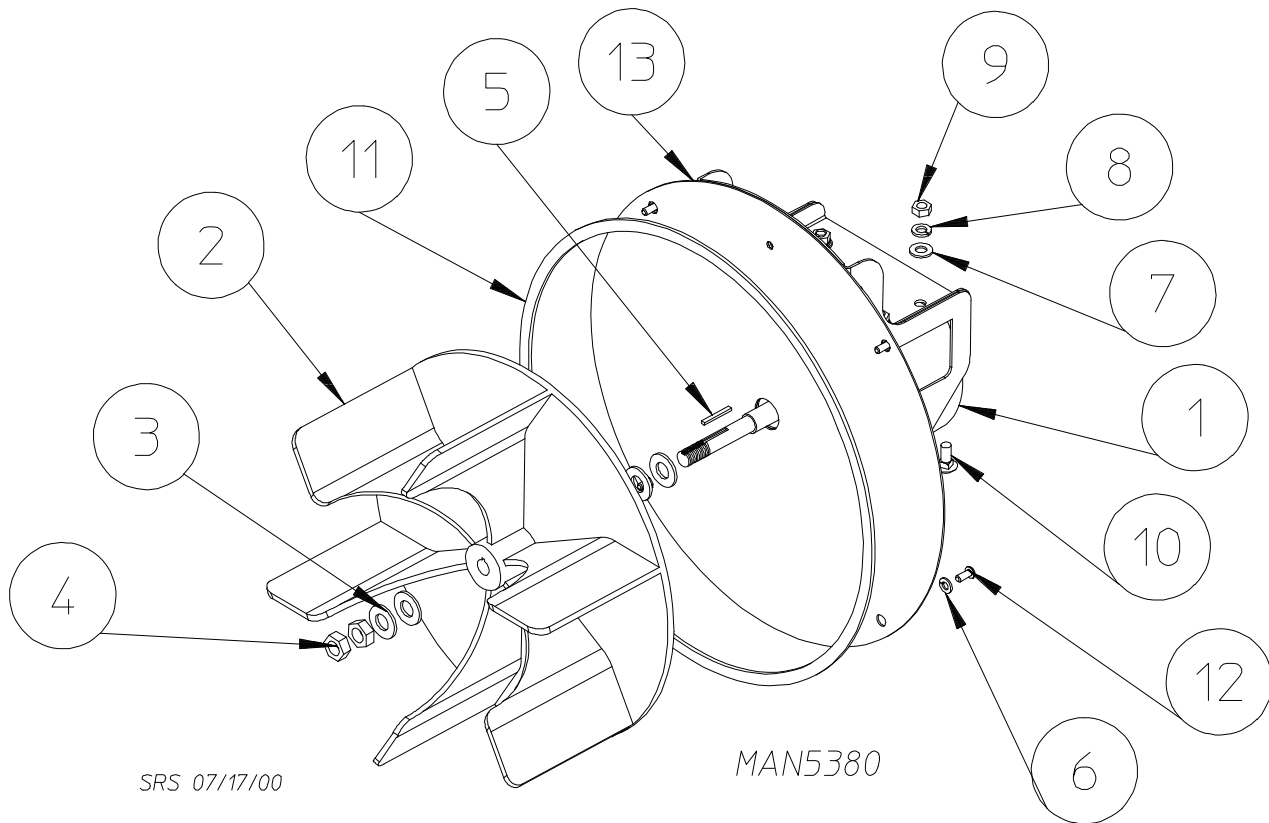
For Models Mfd. prior to October 17, 2000



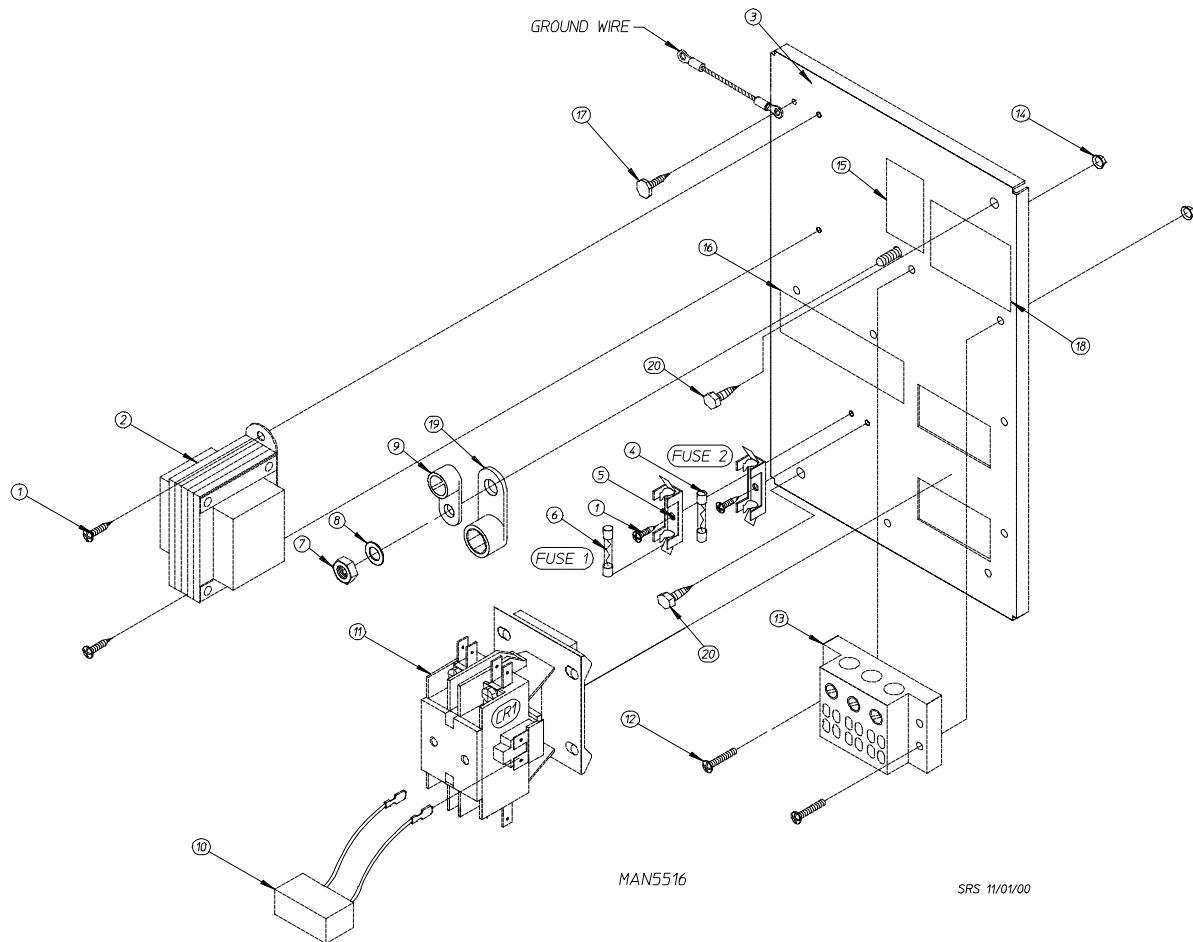
<u>Illus. No.</u>	<u>Part No.</u>	<u>Qty.</u>	<u>Description</u>
1	150220	1	3/8-24 Hex Nut
2	150510	2	1/4-20 x 3/4" Hex Head Machine Bolt
3	153007	2	1/4" Split Lock Washer
4	883006	1	2-Bolt Rear Wheel Box Type Bracket ONLY
	883104	1	2-Bolt Rear Wheel Box Type Bracket Assembly with Hardware
5	882799	1	Thruster Wheel



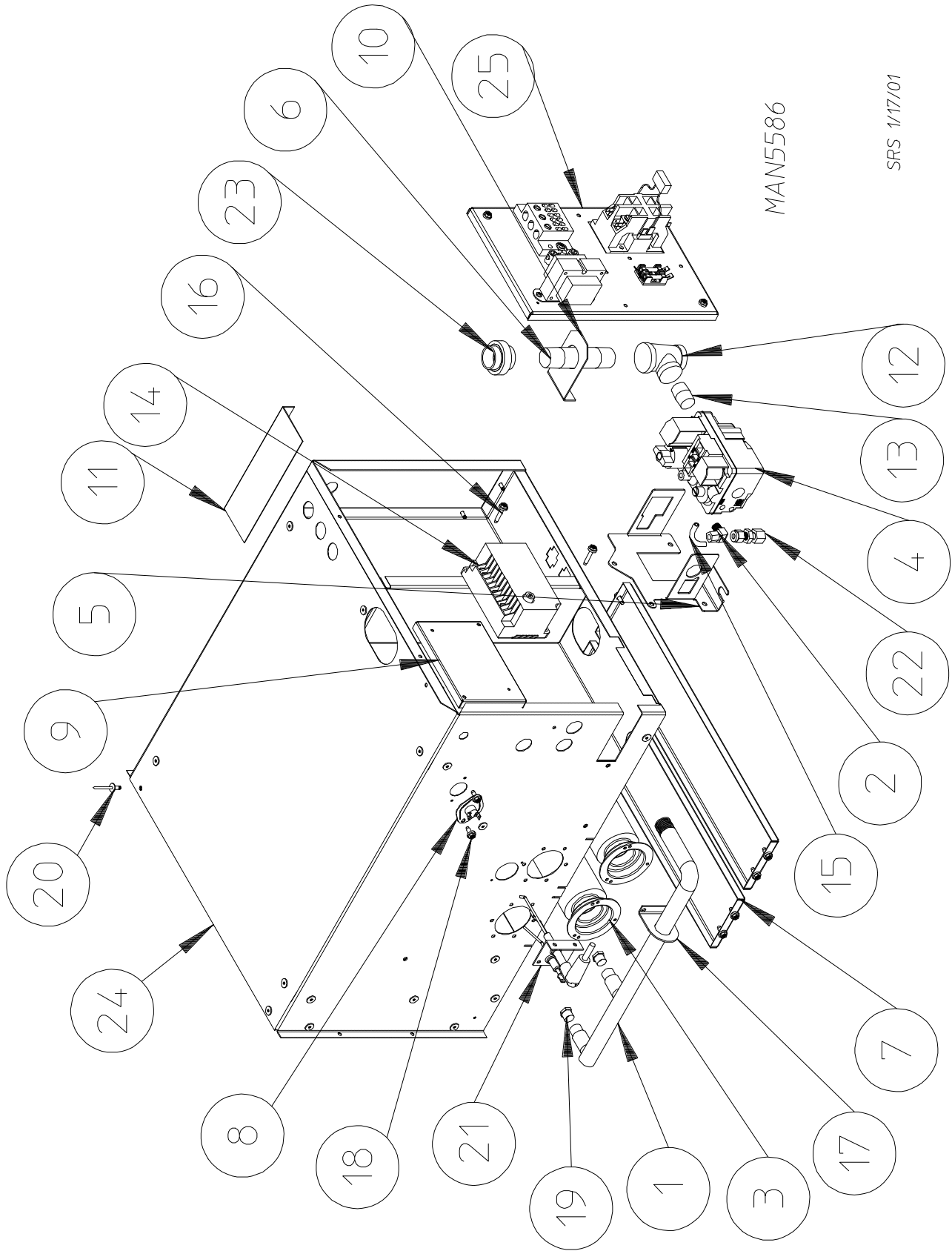
<u>Illus. No.</u>	<u>Part No.</u>	<u>Qty.</u>	<u>Description</u>
1	882682	1	Temperature Sensor Bracket Assembly Complete (includes illus. nos. 1 through 6 and 9 through 12)
	354117	1	Sensor Bracket ONLY
2	883025	1	Microprocessor Temperature Sensor Probe Assembly Complete (includes illus. nos. 2 through 6)
3	154007	1	1/4" Push On Fastener
4	121028	2	1/4" Terminal
5	122701	4	Socket Terminal ONLY
	122801		Pins/Socket Extraction Tool
6	122605	1	4-Position Connector (female)
7	122700	4	Pin Terminal ONLY
8	122604	1	4-Position Connector (male)
9	130119	1	190° Automatic Thermostat
10	150005	2	#6-32 x 1/4" Phillips Round Head Machine Screw
11	153010	2	#6 Star Washer
12	152013	2	#6-32 Hex Nut
13	152014	2	1/4-20 Free Spin Wash Nut



<u>Illus. No.</u>	<u>Part No.</u>	<u>Qty.</u>	<u>Description</u>
1	181038	1	1/4 HP 115/230v/60 Hz Blower Motor
2	100604	1	12-1/2" Impellor with 1/2" Bore
3	153050	4	1/2" x 1-1/16" Flat Washer
4	152006	2	1/2-20 Left Hand Jam Nut
5	100731	1	1/8" x 3/32" x 1-1/8" Key
6	153007	4	1/4" Split Lock Washer
7	153001	4	5/16" Flat Washer
8	153002	4	5/16" Split Lock Washer
9	152004	4	5/16-18 Hex Nut
10	154279	4	5/16-18 x 3/4" Carriage Bolt
11	117604	4	1/8" x 3/8" Neoprene Sponge Tape (sold by the foot)
12	150111	4	1/4-20 x 1/2" Phillips Round Head Machine Screw
13	882922	1	Blower Motor Mount ONLY
	882714	1	Blower Motor and Mount Assembly Complete (includes illus. nos. 1 through 13)



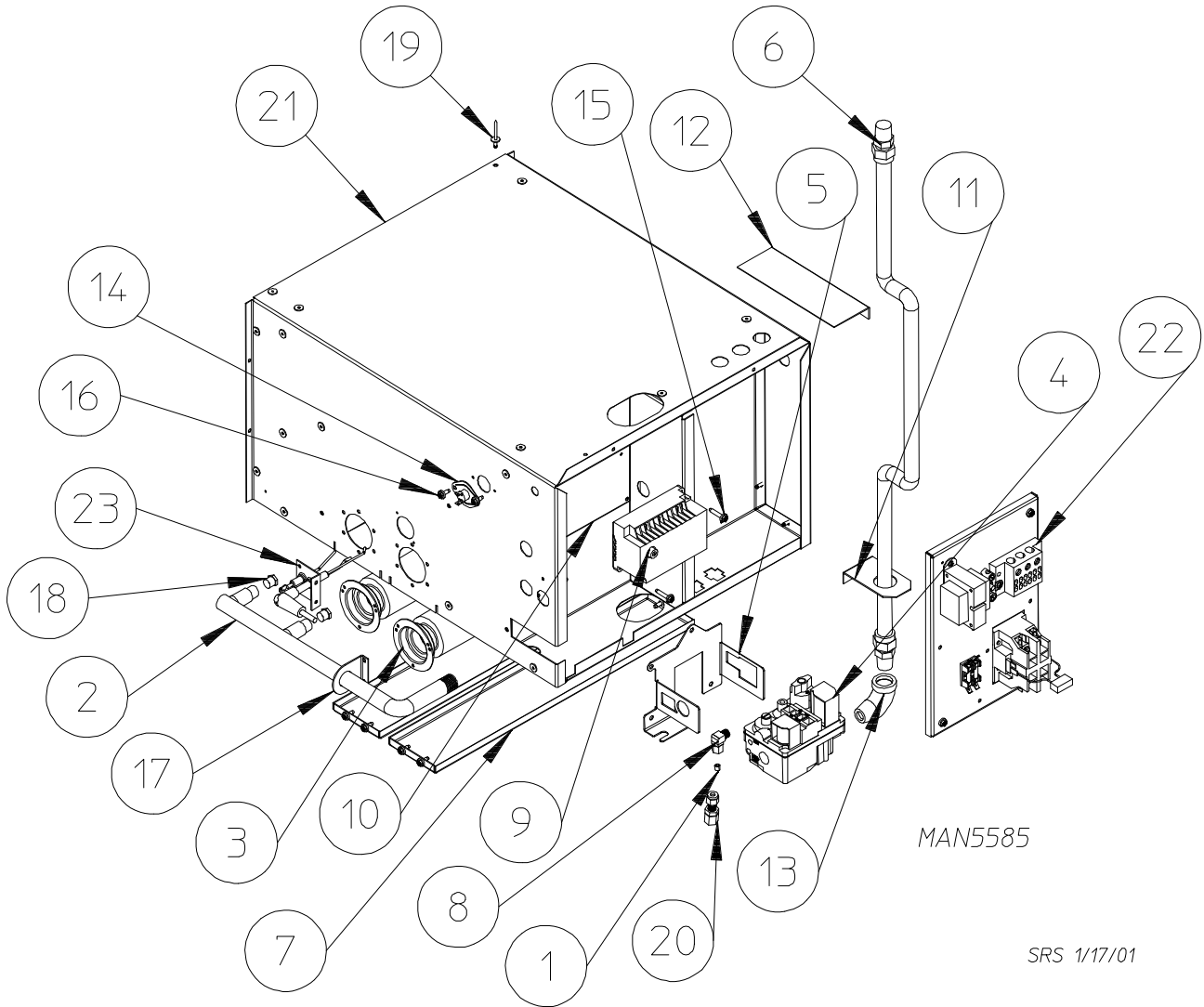
<u>Illus. No.</u>	<u>Part No.</u>	<u>Qty.</u>	<u>Description</u>
1	150301	4	#8-18 x 7/16" Phillips Pan Head TEK Screw
2	141403	1	Transformer - 24 VAC
	881763	1	Termination Kit
3	882928	1	Rear Electrical Panel with Stud
4	136049	1	3/4-amp Slo-Blo Fuse (fuse 1)
5	136008	2	Fuse Holder
6	136106	1	2-amp Slo-Blo Fuse (fuse 2)
7	152002	1	1/4-20 Hex Nut
8	153021	1	1/4" Star Washer
9	121010	1	Ground Lug
10	824828	1	R.C. Network Assembly
11	132475	1	Double-Pole Contactor - 24 VAC
12	150103	2	#8-32 x 3/4" Phillips Round Head Screw
13	120714	1	Quick Connect Power Block
14	151001	2	#8-32 Pal Nut
15	112075	1	"Ground Here" Label
16	112025	1	"Caution" Label
17	150297	1	Green Ground Screw
18	114103	1	"Electric Service Connection" Label
19	121012	1	Ground Lug
20	150299	2	#10 x 1" Hex Washer TEK Screw



<u>Illus. No.</u>	<u>Part No.</u>	<u>Qty.</u>	<u>Description</u>
1	141138	1	Burner Manifold
2	143277	1	1/4" x 1/8" 90° Brass Elbow
3	141137	2	Stainless Steel Burner Tube
4	128927	1	1/2" 24 VAC (natural gas) Gas Valve
	880960	1	1/2" 24 VAC Liquid Propane (L.P.) Gas Valve
	140411	1	1/2" Liquid Propane (L.P.) Conversion Kit (per basket [tumbler])
	882635*		Liquid Propane (L.P.) Conversion Kit (includes parts to convert both top and bottom basket [tumbler] to liquid propane [L.P.] gas)
5	354141	1	Gas Valve Mounting Bracket
6	142710	1	3/4" x 4" Black Nipple
7	354146	2	Burner Bottom Baffle
8	130400	1	290° Burner Hi-Limit
9	354162	1	Direct Spark Ignition (DSI) Module Mounting Panel
10	354163	1	Pipe Bracket
11	354170	1	Burner Tube Hood
12	142505	1	3/4" x 1/2" x 1/2" Tee
13	142700	1	1/2" Close Nipple
14	128935	1	Direct Spark Ignition (DSI) Module with Three (3) Tries
15	143100	1	1/4" Aluminum Tubing
16	150299	2	#10 x 1" Hex Washer TEK Screw
17	353222	1	Manifold Bracket
18	150300	10	#10-16 x 1/2" Hex Washer TEK Screw
19	140819	2	#30 Burner Orifice (natural gas)
20	154210	30	5/32" x 3/16" Pop Rivet
21	882907	1	Direct Spark Ignition (DSI) Ignitor/Flame-Probe with High Voltage (HV) Wire
	883031	1	High Voltage (HV) Ignition Cable with Socket Terminal
22	143259	1	Bulkhead Fitting
23	142601	1	3/4" Black Union
24	882906	1	Burner Box ONLY
	882949**	1	Natural Gas Burner Assembly Complete (less orifice)
25	-----	1	Rear Electrical Panel Assembly Complete (refer to Rear Electrical Panel on <u>page 27</u>)

* Consult factory for elevations over 2,000 feet.

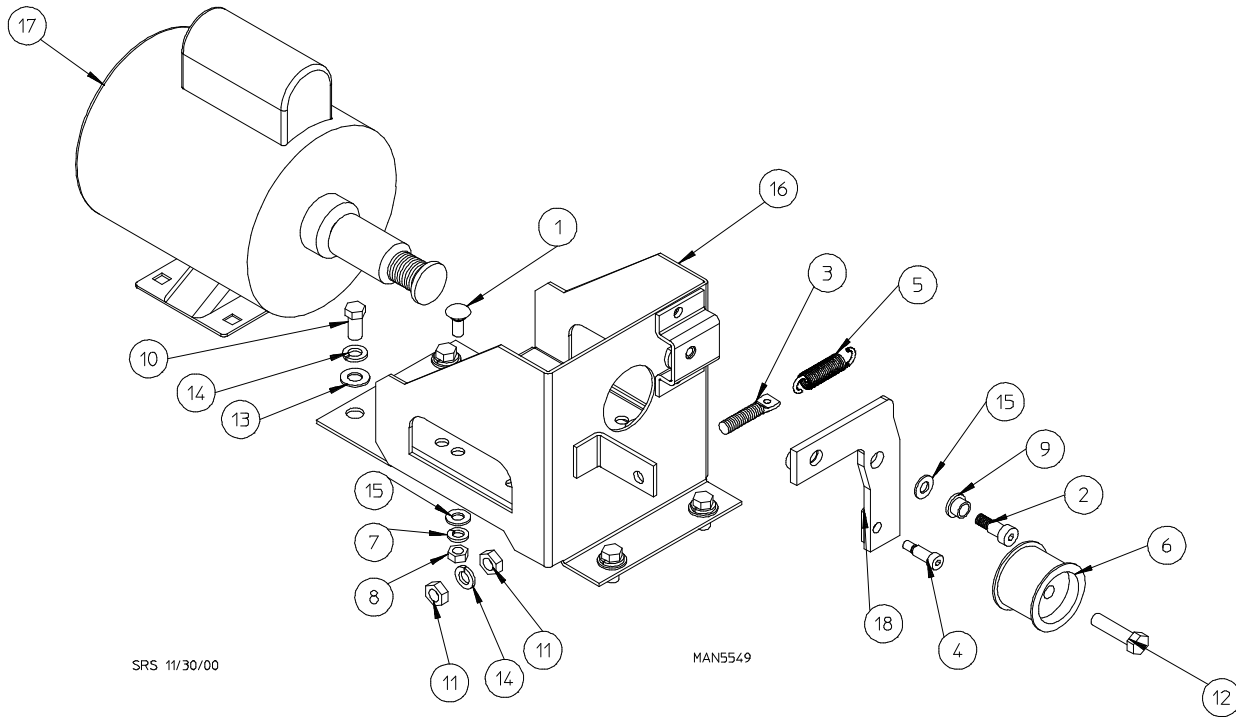
** Burner orifice *is not included* and **must be** ordered separately.



<u>Illus. No.</u>	<u>Part No.</u>	<u>Qty.</u>	<u>Description</u>
1	143100	1	1/4" Aluminum Tubing
2	141138	1	Burner Manifold
3	141137	2	Stainless Steel Burner Tube
4	128927	1	1/2" 24 VAC (natural gas) Gas Valve
	880960	1	1/2" Liquid Propane (L.P.) Gas Valve Conversion Kit (per basket [tumbler])
	140411	1	1/2" Liquid Propane (L.P.) Conversion Kit
	882635*		Liquid Propane (L.P.) Conversion Kit (includes parts to convert both top and bottom basket [tumbler] to liquid propane [L.P.] gas)
5	354141	1	Gas Valve Mounting Bracket
6	143118	1	60" Stainless Steel Flex Hose 1/2" x 1/2"
7	354146	2	Burner Bottom Baffle
8	143277	1	1/4" x 1/8" 90° Brass Elbow
9	128935	1	Direct Spark Ignition (DSI) Module with Three (3) Tries
10	354162	1	Direct Spark Ignition (DSI) Module Mounting Panel
11	354163	1	Pipe Bracket
12	354170	1	Burner Tube Hood
13	142506	1	1/2" x 1/2" Street Elbow
14	130400	1	290° Burner Hi-Limit
15	150299	2	#10 x 1" Hex Washer TEK Screw
16	150300	10	#10-16 x 1/2" Hex Washer TEK Screw
17	353222	1	Manifold Pipe Bracket
18	140819	2	#30 Burner Orifice (natural gas)
19	154210	30	5/32" x 3/16" Pop Rivet
20	143259	1	Bulkhead Fitting
21	882906	1	Burner Box ONLY
	882949**	1	Natural Gas Burner Assembly Complete (less orifice)
22	-----	1	Rear Electrical Panel Assembly Complete (refer to Rear Electrical Panel on page 27)
23	882907	1	Direct Spark Ignition (DSI) Ignitor/Flame-Probe with High Voltage (HV) Wire
	883031	1	High Voltage (HV) Ignition Cable with Socket Terminal

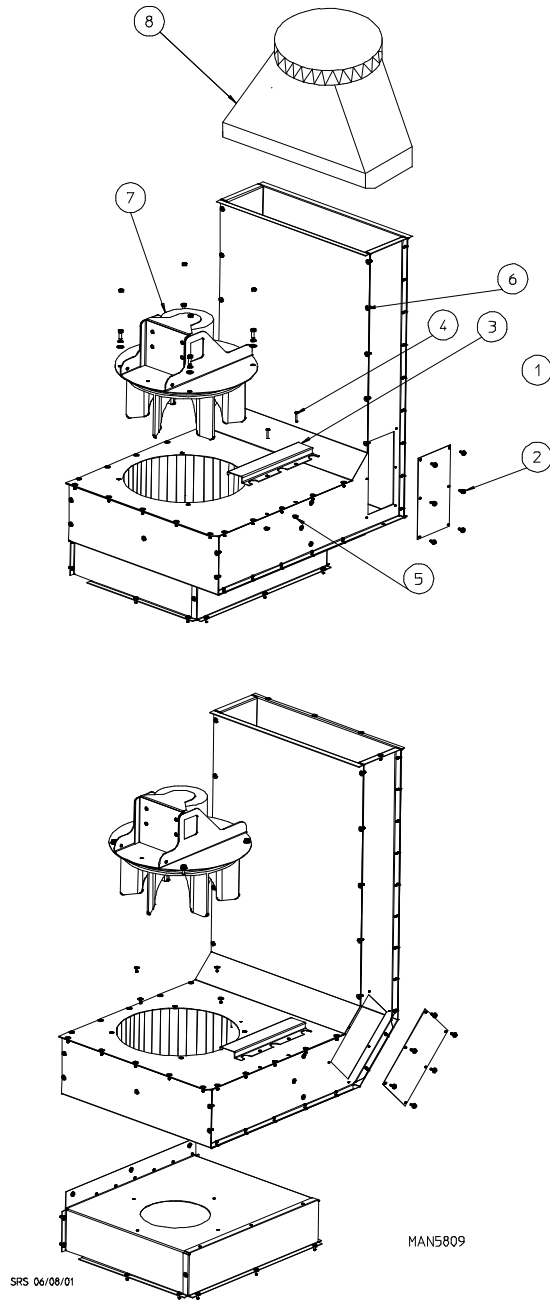
* Consult factory for elevations over 2,000 feet.

** Burner orifice *is not included* and **must be** ordered separately.

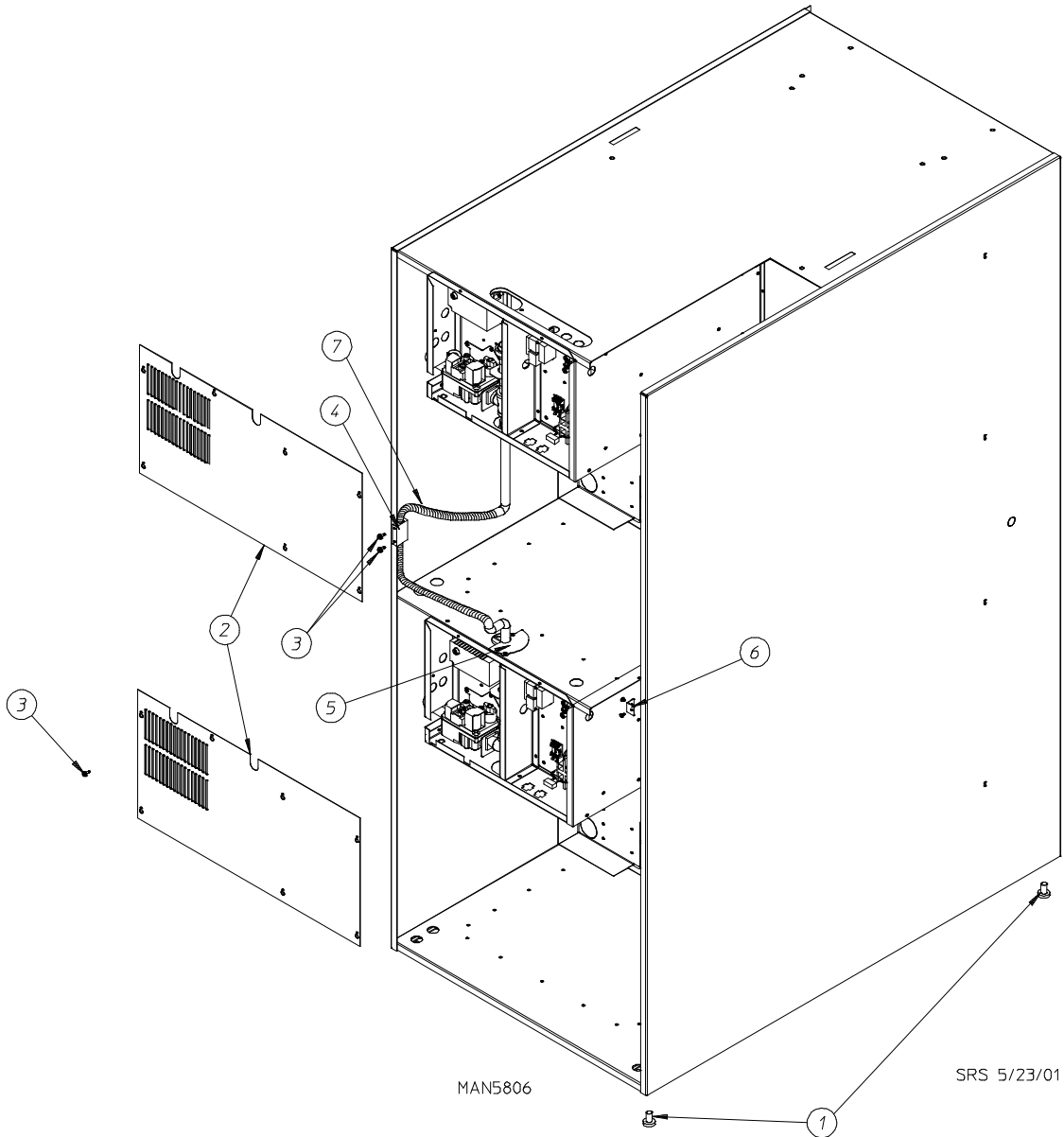


<u>Illus. No.</u>	<u>Part No.</u>	<u>Qty.</u>	<u>Description</u>
1	154279	4	5/16-18 x 3/4" Carriage Bolt
2	154277	1	3/8" x 1/2" Shoulder Screw
3	154274	1	3/8-16 x 2" Long Spade Bolt
4	154276	1	1/4-20 x 5/16" x 5/8" Shoulder Bolt
5	157010	1	1-7/8" Extension Spring
6	100250	1	Idler Wheel
7	153002	4	5/16" Split Lock Washer
8	152004	4	5/16-18 Hex Nut
9	121350	1	Bronze Bushing
10	150508	4	3/8-16 x 3/4" Hex Head Machine Bolt
11	152005	2	3/8-16 Hex Nut
12	150600	1	3/8-16 x 1-1/2" Tap Bolt
13	153004	4	3/8" x 1" Flat Washer
14	153005	5	3/8" Split Lock Washer
15	153001	5	5/16" Flat Washer
16	882720	1	Motor Mount ONLY
17	882687	1	Drive Motor and Sheave Assembly ONLY
	882997	1	Drive Motor Sheave ONLY
	883069	1	Drive Motor Sheave With Setscrew (for models mfd. as of March 14, 2001)
	170733	*	Retaining Compound
18	882767	1	Idler Arm Assembly with Hardware (includes illus. nos. 2, 6 through 10, 16 and 17)
	882929	1	Idler Arm ONLY

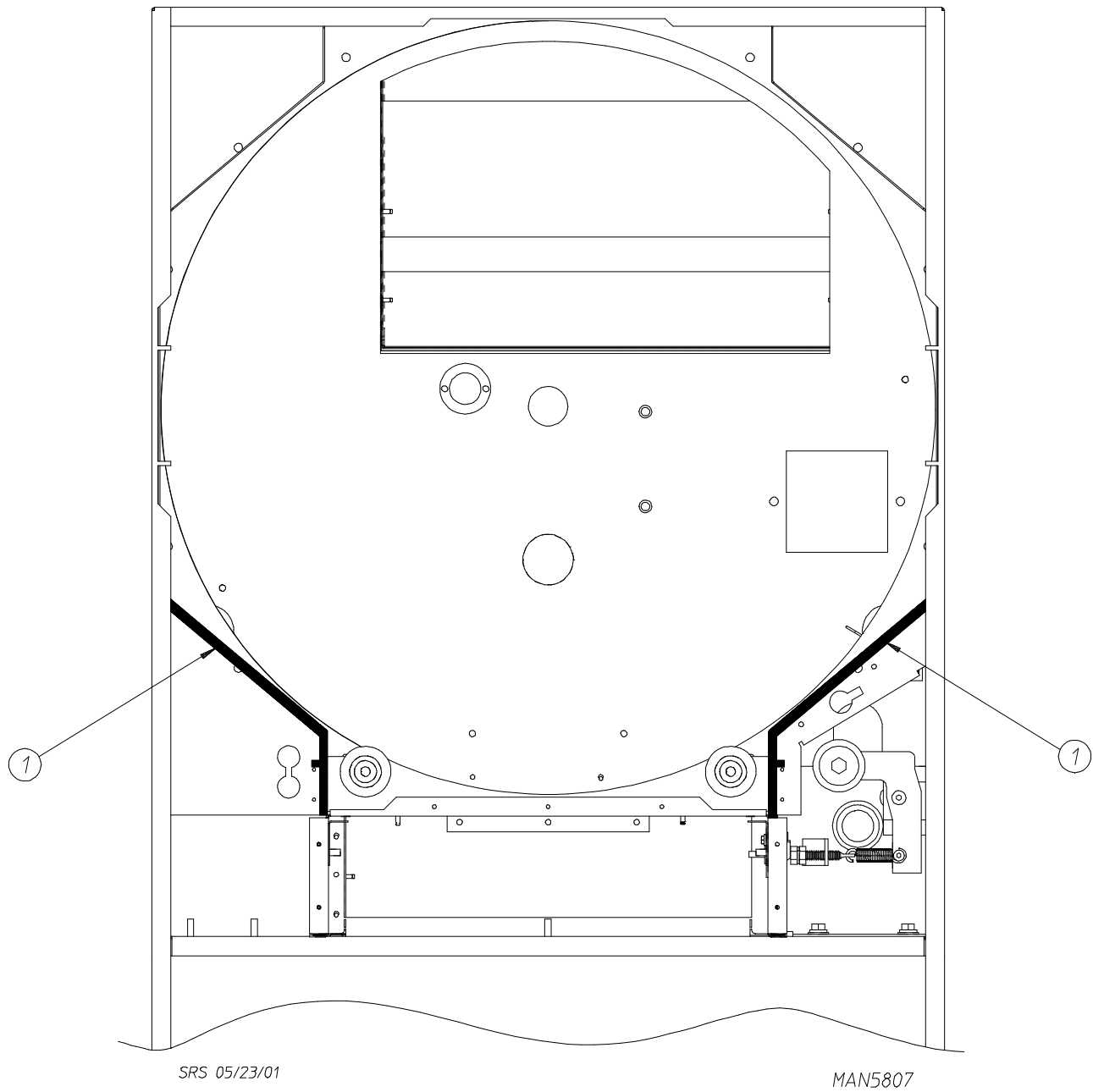
* As required.



<u>Illus. No.</u>	<u>Part No.</u>	<u>Qty.</u>	<u>Description</u>
1	354078	2	Exhaust Access Plate
2	150309	12	#10-16 x 1/2" Hex Head TEK Crimptite Screw
3	354171	2	Harness Stiffener
4	150103	4	#8-32 x 3/4" Phillips Round Head Machine Screw
5	151001	4	#8-32 Pal Nut
6	154210	158	5/32" x 3/16" Pop Rivet
7	-----	2	Blower Motor Assembly (refer to Blower Motor Assembly on page 26)
8	143557	1	12" Exhaust Adapter



<u>Illus. No.</u>	<u>Part No.</u>	<u>Qty.</u>	<u>Description</u>
1	103500	4	Leveling Leg
2	882948	2	Back Guard
	883070	2	Back Guard Short (for models mfd. as of April 24, 2001)
3	150300	12	#10-16 x 1/2" Hex Washer TEK Screw
4	883071	1	Top Pocket Flex Gas Line Bracket
5	883072	1	Bottom Pocket Flex Gas Line Pivot Support
	883029	1	Top And Bottom Gas Line Bracket Kit (for models mfd. prior to April 24, 2001)
6	883073	1	Rear Left Side Pane Support Assembly
7	143118	1	60" Stainless Steel Flex Hose



<u>Illus. No.</u>	<u>Part No.</u>	<u>Qty.</u>	<u>Description</u>
1	102310*	4	Wrapper Gasket (for models mfd. as of April 19, 2001)

* Sold by the foot.

